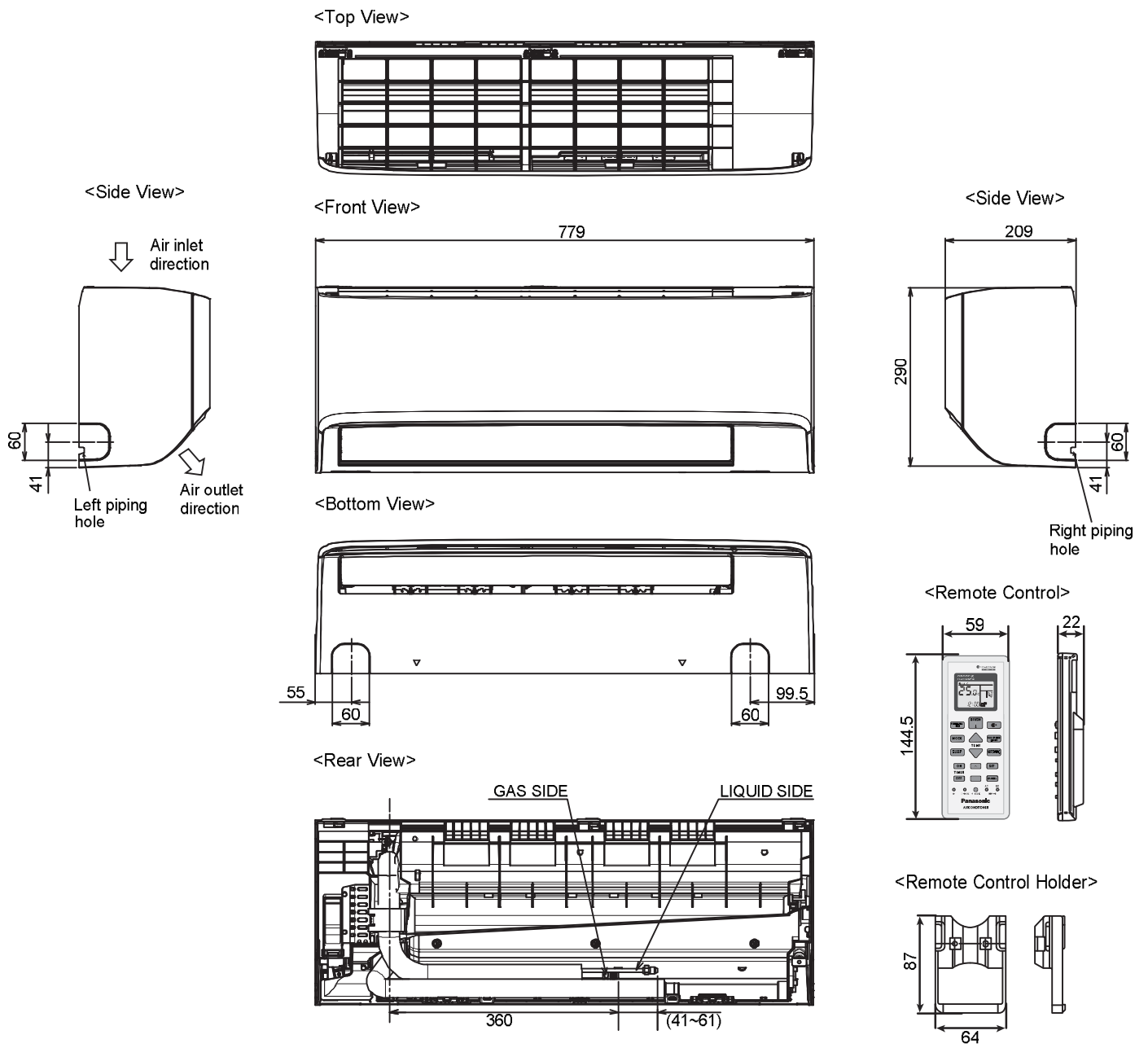


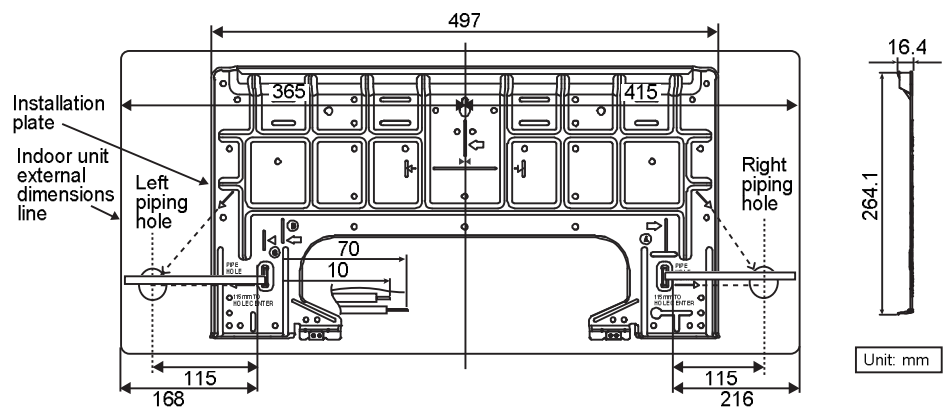
4. Dimensions

4.1 Indoor Unit and Remote Control

4.1.1 CS-LE9WKA CS-LE12WKA



Relative position between the indoor unit and the installation plate <Front View>



4.2 Outdoor Unit

