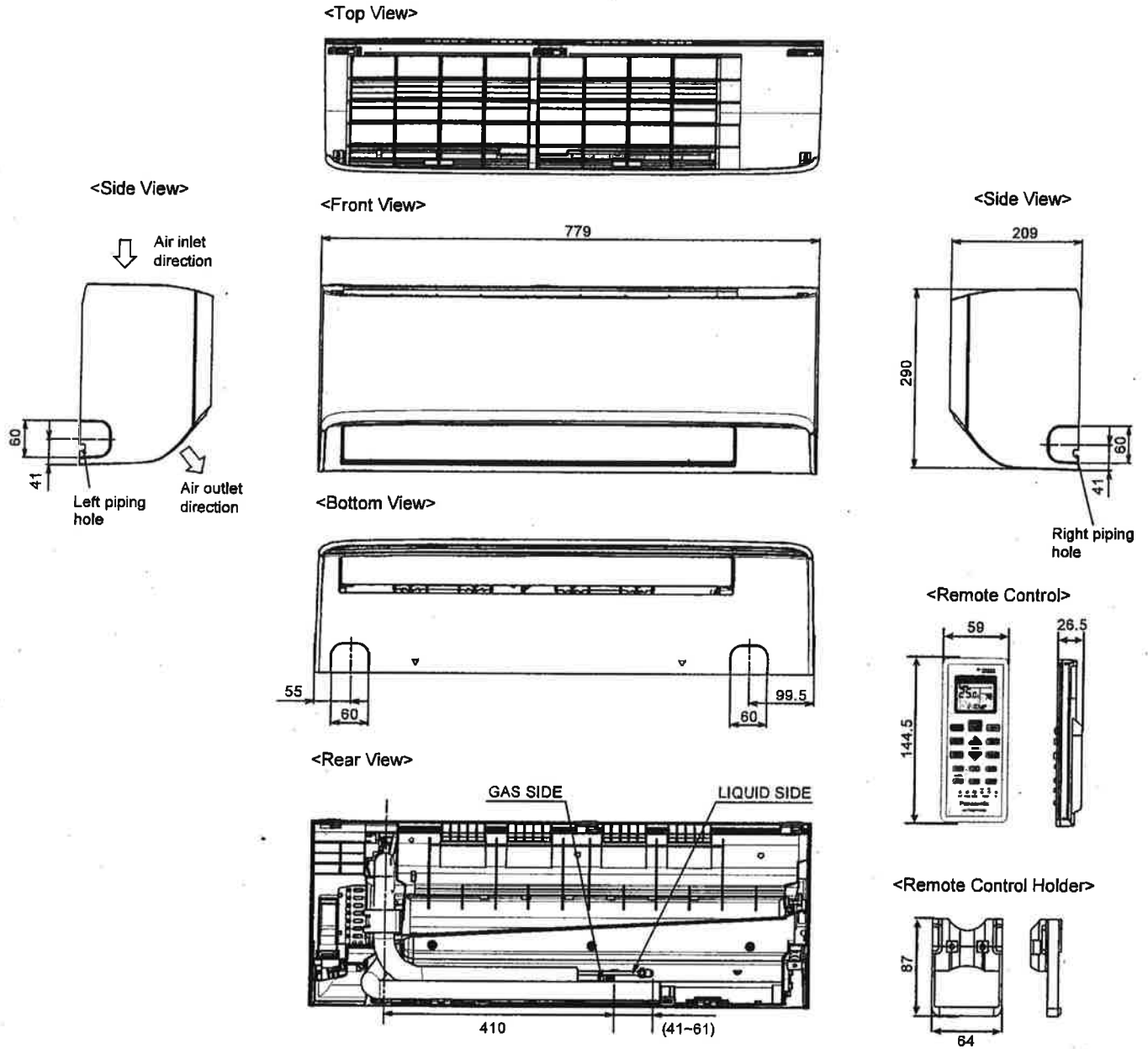


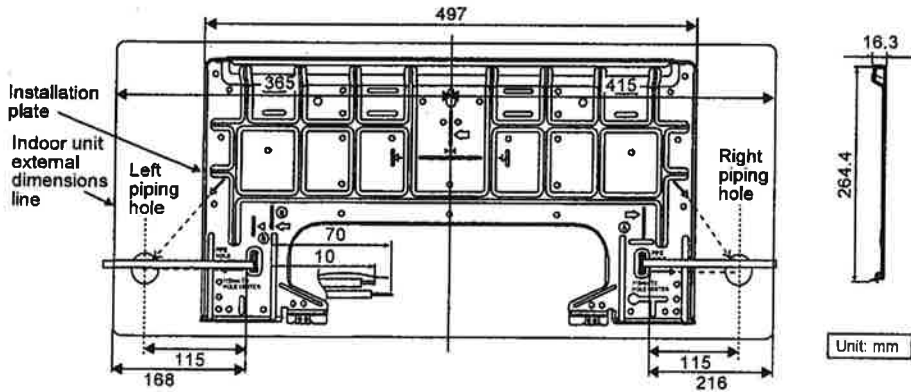
5. Dimensions

5.1 Indoor Unit

5.1.1 CS-RU9YKA CS-RU12YKA

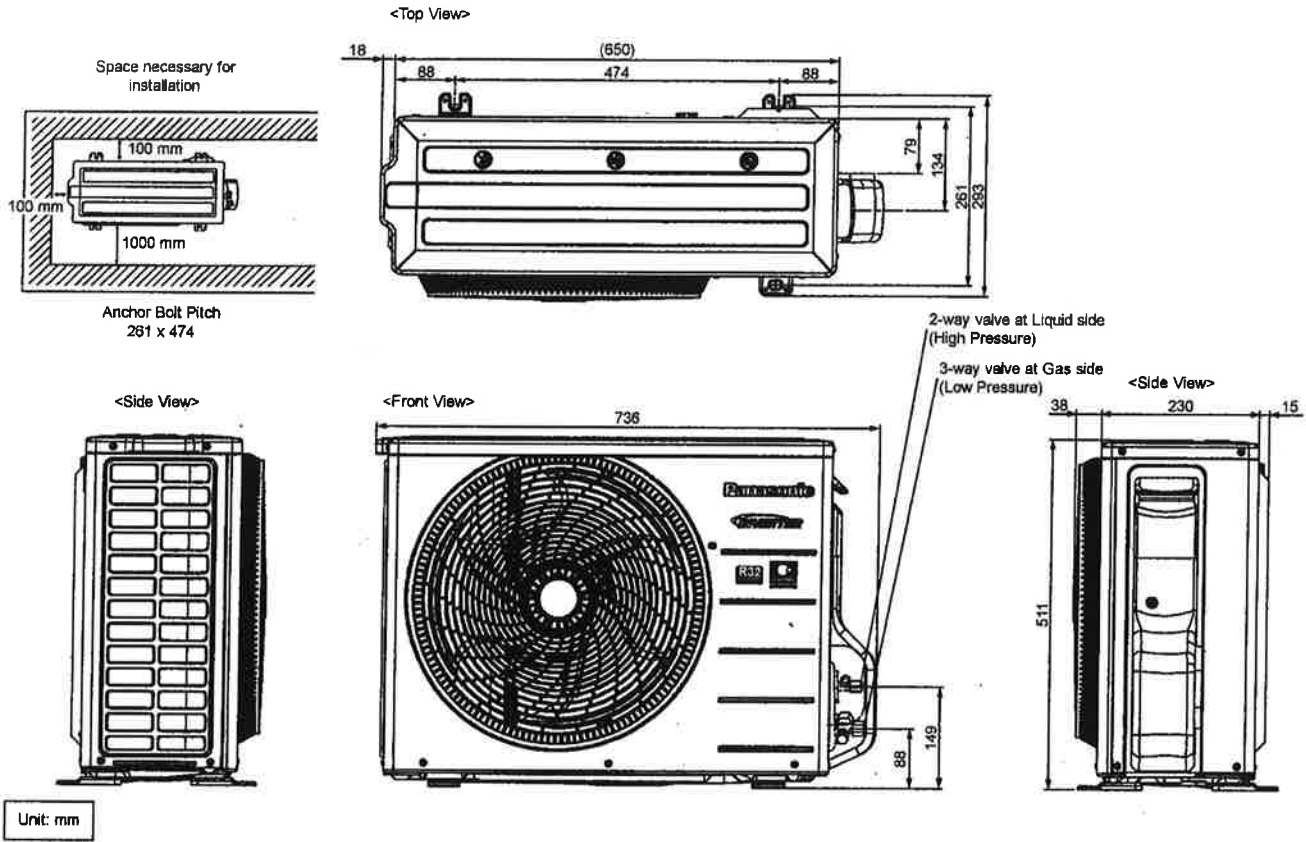


Relative position between the indoor unit and the installation plate <Front View>



5.2 Outdoor Unit

5.2.1 CU-RU9YKA



5.2.2 CU-RU12YKA

