
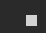





Post-installation Checklist

Upon completing installation, check and mark off the following items.

	Checklist	Checked
Appearance	• Does the appliance not look like it is tilted to the front, back, left or right?	<input type="checkbox"/>
	• Is the edge of the bottom surface of the top plate not lifted up?	
	• Is the top plate clean?	
Electrical Work	• Is the power supply a single phase, 220 V?	<input type="checkbox"/>
	• Has the earth been installed?	<input type="checkbox"/>
	• Has the earth leakage circuit breaker been installed?	
Electrical testing	1  Touch to turn the power on. →Does the main power light illuminate? 	<input type="checkbox"/>
	2   Touch to start heating. →Does the “-” indication flash? 	

- Make sure to turn off each IH heater and the main power switch after electrical testing is done.
- Provide the Operating Instructions, Installation Instructions and Guarantee Certificate to the customer.

I hereby certify that installation has been completed.

Signature of installer

Panasonic Corporation
Web Site: <http://panasonic.net/>

© Panasonic Corporation 2014

Printed in Japan

Panasonic®

Installation Instructions

Induction Heating Cooktop
For domestic use

Model No. **KY-E227D**
KY-C227D
KY-A227D

ENGLISH

Contents

Safety Precautions	2
Dimensions	3
Related Dimensions (Built-in)	4
Installation Location	5
Electrical Work	6
Installing the Appliance	7
Post-installation Checklist	8

Important

- Install the appliance according to the Installation Instructions. Otherwise, the performance of the appliance may be degraded.
- The installer is responsible for proper installation. Malfunctions or accidents resulting from the failure to follow Installation Instructions are not covered under the guarantee.
- Make sure to have a qualified gas technicians (or personnel from gas company) close the gas valve when replacing the gas appliances with this unit.
- Do not install an oven under the cabinet.
- Make sure to perform a test run and explain to the customer how to use the appliance correctly.
- Provide these Installation Instructions to the customer for the local electrical inspector's use.



Safety Precautions

⚠ WARNING

Failure to follow these instructions may cause death or serious injury.

- **During installation, follow these instructions strictly.**
Improper installation may cause electric leakage or fire.
- **Install a 220 V / 20 A dedicated single-phase circuit with an earth leakage circuit breaker for the power supply.**
The electrical wiring may abnormally overheat if the dedicated circuit is not properly connected.
- **Electrical work must be performed by a legally qualified electrician.**
Improper wire connections may cause electric leakage or fire.
- **This appliance must be properly earthed following the electric laws. The earth conductor must not be connected to a gas pipe, water pipe, earth of lightning rod and telephone.**
Failure to observe this may cause electric shock in case of appliance breakdown or insulation breakdown.
- **Have a qualified electrician earth the appliance.**
Improper earthing may cause electric shock.
- **Before installation, make sure to turn off the circuit breaker to prevent electric shock.**
- **The power cord must be correctly connected to ensure the integrity of the connection.**
Improper wire connections may cause electric leakage or fire.
- **If the power cord is damaged, it must be replaced by the manufacturer, its service agent or a similar qualified person in order to avoid a hazard.**
- **Do not disassemble, repair or modify the appliance (e.g. top plate).**
Doing so may cause abnormal operation of the appliance and may result in danger.
- **Do not climb on the appliance, or drop heavy items on top of it.**
Cracks in the top plate may cause overheating, malfunctions or electric shock.

⚠ CAUTION

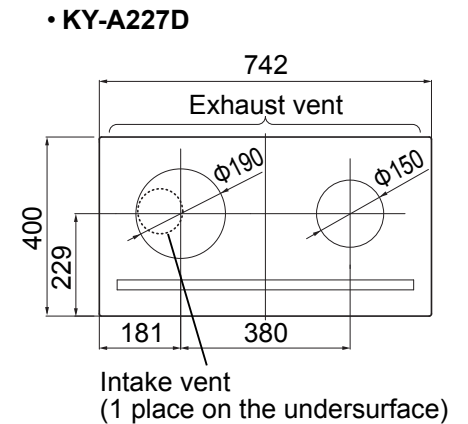
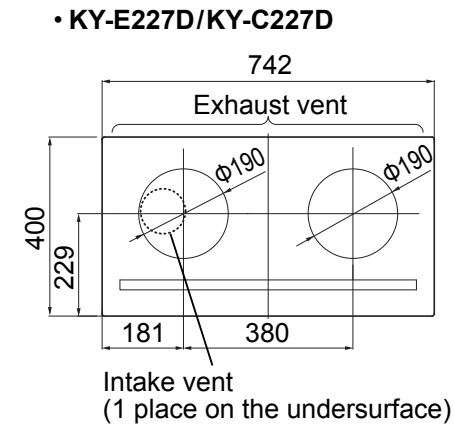
Failure to follow these instructions may cause injury or property damage.

- **Use a heat resistant material for the countertop. However, do not use a varnished material as they may get discoloured.**
The material of the countertop should have heat resistance equal to or higher than the heat resistance of "laminated thermosetting high-pressure decorative sheets". If the materials are not heat resistant, they may get deformed or cause a fire.

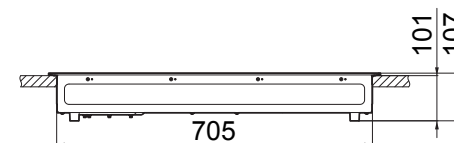
Dimensions

■ Top view

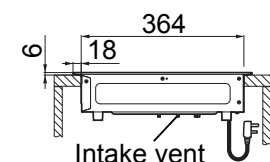
(unit: mm)



■ Front view



■ Side view

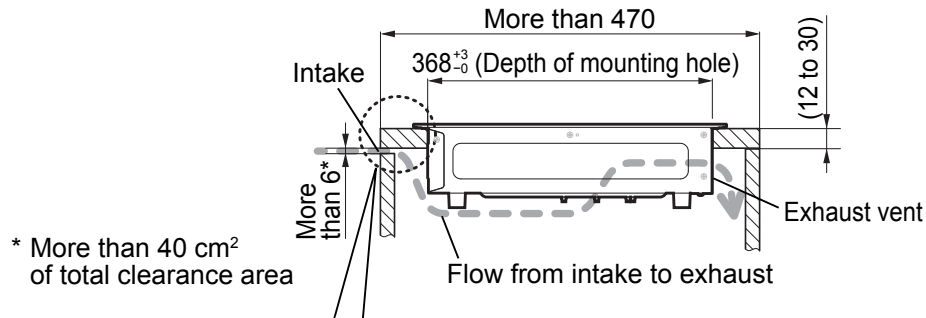


- Power cord length: approx. 1.5 m

Related Dimensions (Built-in)

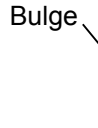
Secure clearance for ventilation in the cabinet. (unit: mm)

Side view



* More than 40 cm² of total clearance area

• If the front countertop has a bulge

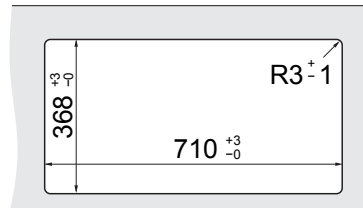


More than 25 for flat part

If this condition is not met, do not install the appliance.

Dimensions of countertop cutout

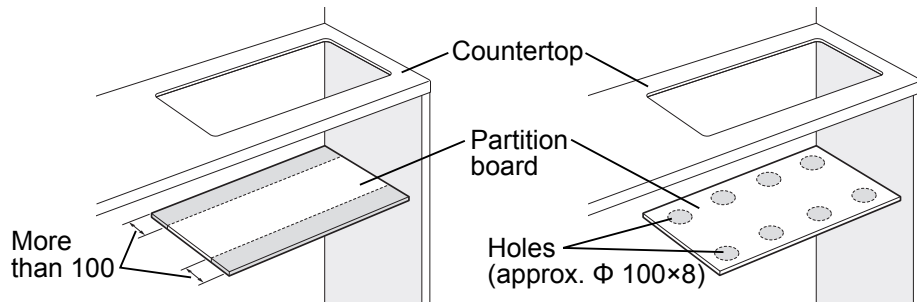
Cut according to the template included with the appliance.



Cabinet front

If a partition board without an intake part has been set

Cut both ends of the partition board or make holes using a holesaw.



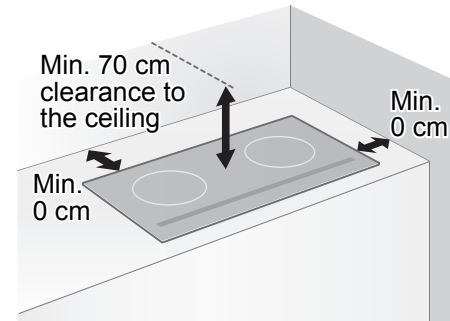
Installation Location

Observe related laws for installation.

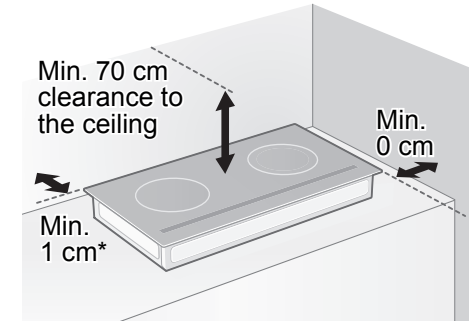
For incombustible wall and ceiling (metal, tile, brick, etc.)

• Including heat-insulating board made of metal, tile, brick, etc.

Built-in



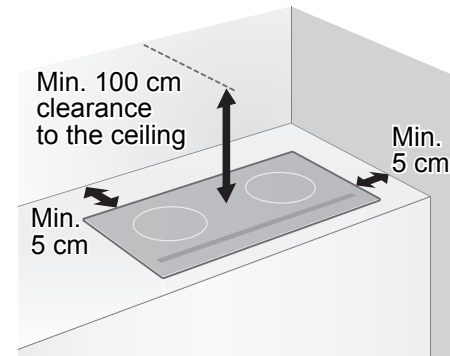
Free-standing



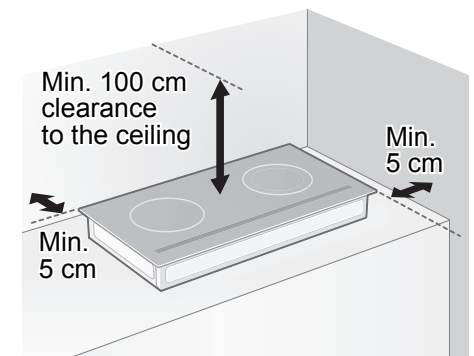
*An exhaust vent is provided on the back of the appliance.

For combustible wall and ceiling

Built-in



Free-standing



Electrical Work

Warning



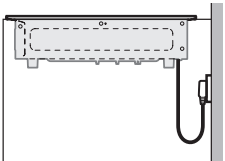
- Electrical work must be performed by a legally qualified electrician.
- Be sure to establish the earth connection. (Provide socket wiring for single-pole earthing.)

Note

- Wire the appliance following local regulations concerning wiring, earthing and safety applied in the area.
- Install the socket at a location where it can be easily disconnected in an emergency.
- Be careful of the plug's direction, avoiding twist of or load on the power cord.

Dedicated circuit	<p>Single-phase 220 V/20 A (with a circuit breaker)</p> <p>■ Electric wire for house wiring</p> <p>Single wire of at least 2.0 mm in diameter</p> <ul style="list-style-type: none"> • Stranded wire of at least 3.5 mm² can also be used for the wall socket (box type).
--------------------------	--

Earth leakage circuit breaker	<p>■ Rated current</p> <ul style="list-style-type: none"> • KY-E227D: 30 A • KY-C227D/KY-A227D: 20 A <p>■ Rated sensitivity current: 30 mA</p> <p>* In accordance with the electrical wiring rules, incorporate the breaker and the earth leakage circuit breaker in the home electrical wire.</p>
--------------------------------------	--

Wall socket	<p>■ Type of socket</p> <ul style="list-style-type: none"> • KY-E227D: BS546 type (15 A)  • KY-C227D/KY-A227D: BS1363 type  <p>■ Installation Location</p> <ul style="list-style-type: none"> • Built-in: Install the socket at a location where the plug can be disconnected after installation.  • Free-standing: Install the socket at a location where it is not exposed to hot air, water or splattered food.
--------------------	---

Installing the Appliance

Warning

- Do not disassemble the top plate.

Before installation, remove the serial number sticker on the back of the appliance.

1) Tear off along perforation.

2) Attach it on the Guarantee Certificate.

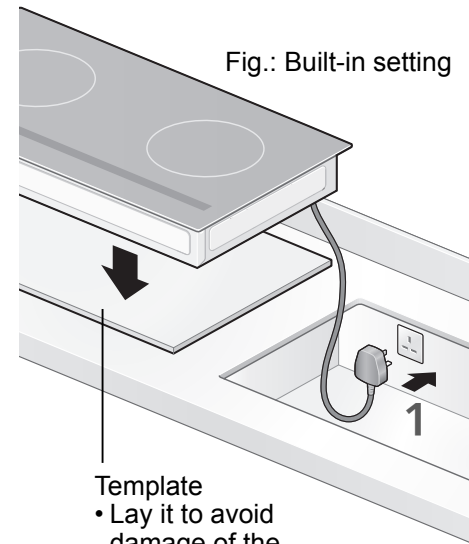
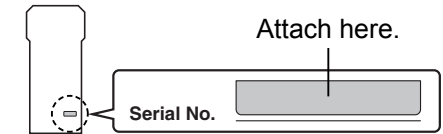
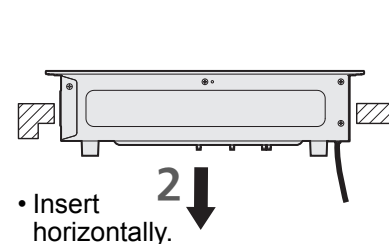


Fig.: Built-in setting

Template

- Lay it to avoid damage of the countertop.



• Insert horizontally.

Free-standing

- 1 **Insert the plug to the socket.**
 - Do not place paper or sheet under the appliance.

Built-in

- 1 **Insert the plug to the socket.**
- 2 **Embed the appliance in the countertop cutout.**
 - Do not drop the appliance on the countertop.
 - Make sure that the spaces between the countertop and the edge of the bottom surface of the top plate are even in the front, back, right and left. (If the power cord is caught between the appliance and the cabinet, the appliance body floats and the spaces are uneven.)