



FV-712N
銀色 Silver



輕觸式按鈕顯示LED燈光，運作情況一目了然。
Soft touch panel with LED light.



FV-711N
銀色 Silver



「按鈕式」設計，左右馬達可獨立開關，有高/低速選擇。
Rocker switch type operates the two fans individually with 2 speed options.

家居生活小貼士 Tips for Effective Usage

日常該如何清潔抽油煙機？
How to clean the range hood?

機身應定期使用溫和的肥皂/清潔劑及溫水抹拭，這樣就可以保護塗層表面免受損害。扇葉及油杯方面，應將它浸於溫水中約10分鐘，然後以清潔劑清洗即可。千萬別使用鋼絲刷抹拭抽油煙機，以免損害機身表面。

For the body, wipe regularly with mild soap/detergent and warm water in order to protect the painted hood surfaces. For the blades and oil cups, dip them into warm water for about 10 minutes and wash with detergent afterwards. Do not wipe with steel brush that will scratch the surface.

是否應讓抽油煙機持續運作一段時間才可停止下來？

Why the range hood should be continued to operate for a moment after cooking?

應該，這樣可將煮食後的剩餘油煙從廚房徹底吸走，防止油滴積存於室內及抽油煙機內。Residual oil fumes can be exhausted outside the kitchen completely that prevents oil droplets accumulating in the room, as well as inside the range hood.

性能超卓 High Performance

抽油煙機透過管道將空氣從出風口排出室外時，必定受到一定程度的壓力阻礙。而越長及越多彎位的管道將形成越大的靜壓阻礙，而造成抽油煙機的風量減少。

A range hood must overcome resistance when pushing air from the inlet, through the duct, to the outside of the building. This resistance is known as static pressure. The amount of static pressure depends on the duct length, type of duct and number of bending. Longer duct and more bending generate higher static pressure, that result decrease in air volume.

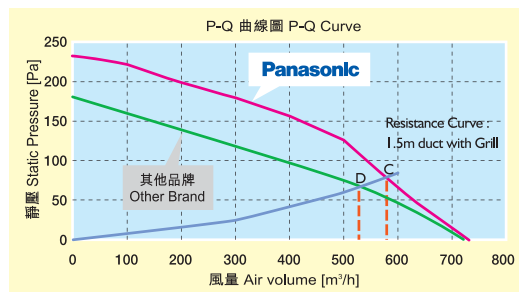
Panasonic抽油煙機與其他牌子抽油煙機的吸力比較

Comparison in suction power for Panasonic Range hood vs other brand under different installation condition and different static pressure level

| | 風量 Air Volume (m ³ /h) | |
|-------------------------|-----------------------------------|-----------------------------------|
| | 無管道 Without Duct | 1.5米管道及網罩(*) 1.5m Duct, Grill (*) |
| 靜壓 Static Pressure (Pa) | 0 | 80 |
| Panasonic | 730 | 580 (C) |
| 其他品牌 Other Brand | 720 | 530 (D) |

香港屋宇最常安裝1.5米管道及網罩，Panasonic抽油煙機與其他牌子抽油煙機的吸力比較：

Highlighted column, installation condition with 1.5m ducts with grill, is one of the typical installation methods in Hong Kong households. Below graph shows suction power under this circumstance with Panasonic range hood and other brand's range hood:



當靜壓為0時，Panasonic及其他牌子的抽油煙機吸力相差無異。

但實驗證明，安裝1.5米管道及網罩時，Panasonic抽油煙機的風量為580m³/h，而其他牌子為530m³/h。在高靜壓下，Panasonic抽油煙機採用獨有的千翼渦輪能產生更穩定及更強勁的風量。

P-Q Curve is usually used to present the performance of a range hood. At static pressure of 0, two range hoods contain similar suction power.

Testing in laboratory shows, when 1.5m duct and grill are installed with range hoods, air volume of Panasonic and other brand vary. Air volume of Panasonic maintain at 580m³/h (Point C) while air volume of other brand reduce to 530m³/h (Point D). Sirocco fan of Panasonic range hood excel at high static pressure condition. Compared with turbo fan, sirocco fan can produce stable air volume when static pressure is high.

1) 什麼是靜壓？ What is Static Pressure?

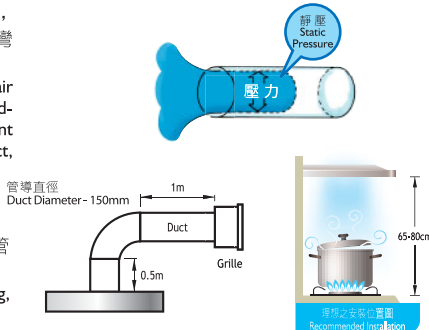
當抽油煙機經管道排出室外時，空氣會與管壁產生摩擦，而形成阻力。這便是靜壓。此外，在排煙管道中，越多彎位，阻力越大，抽油煙機的吸力便會下降。

A range hood must overcome resistance when pushing air from the inlet, through the duct, to the outside of the building. This resistance is known as static pressure. The amount of static pressure depends on the duct length, type of duct, and bending.

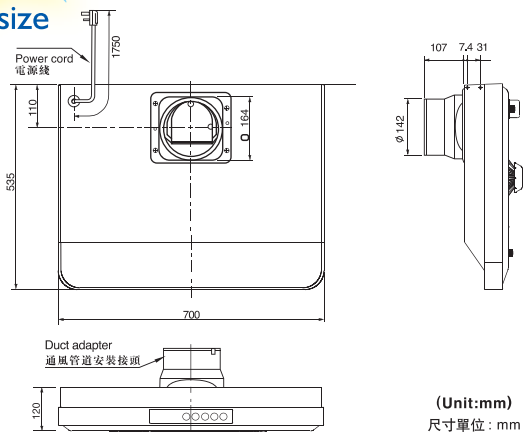
2) 模擬使用環境 Simulation Condition

抽油煙機通常裝有較長的管導及為配合廚房設計而使管導彎曲，影響風量。

Many installations require long duct and at least one bending, as shown in the figure (Static Pressure = 80Pa).



產品尺寸 Product size



規格 Specifications

| Model | FV-713N | FV-712N | FV-711N |
|---|--------------------------|--------------------|-------------------|
| 按鈕 Switch | 輕觸式 Luminous Soft Touch | 輕觸式 Soft Touch | 按鈕式 Rocker Switch |
| 電壓 Rated Voltage (V) | 220 | | |
| 頻率 Frequency (Hz) | 50 | | |
| 風速 Speed | Super / High / Low | Super / High / Low | High / Low |
| 耗電量 Power Consumption (不連電燈 without lamp) | Super | 140 | 140 |
| | Hi | 95 | 95 |
| | Lo | 72 | 72 |
| 風量 Air Volume (m ³ /h) | Super | 720 | 720 |
| | Hi | 500 | 500 |
| | Lo | 400 | 400 |
| 左右獨立開關 Left/Right Separate On/Off | - | - | ○ |
| 延遲關機設計 Prolonged Off-Timer | ○ | ○ | - |
| 顏色 Colour | 香檳金色 Champagne Gold | ○ | ○ |
| | 銀色 Silver | ○ | ○ |
| | 白色 White | - | ○ |
| 電燈 (瓦特) Lamp | 40W | | |
| 馬達 / 風扇數量 No. of Motor/Fan | 2/2 | | |
| 風扇種類 Fan Type | 千翼渦輪 Sirocco Fan | | |
| 尺寸 Dimension (mm) | 700(W) x 120(H) x 535(D) | | |
| 重量 Net Weight | 17.5kg | | |
| 管導直徑 Air Duct Dia. (mm) | 150 | | |

本產品目錄只供參考，資料已經過細心核對，如有錯誤，以廠方生產的規格為準。本公司保留更改產品設計及規格之權利，恕不另行通知。如有任何爭議，信興電器貿易有限公司保留最終決定權。

This catalogue is for reference only. The product information is subject to manufacturer specifications. The design and specifications of the products may be modified without prior notice. In case of any dispute, Shun Hing Electronic Trading Co., Ltd. reserves the right of final decision. 1/2012

此產品目錄以環保紙及墨印刷
Printed with environmental friendly ink on environmental paper.

顧客服務熱線 Customer Service Hotline : 2833 0955
維修服務部熱線 Maintenance Service Hotline : 2406 5666
零件部熱線 Parts Sales Hotline : 2406 5555
www.panasonic.hk

信興集團 SHUN HING GROUP 信興電器貿易有限公司 SHUN HING ELECTRONIC TRADING CO., LTD.

Panasonic
ideas for life

Range Hood
抽油煙機



Panasonic 抽油煙機

Panasonic Range Hood

超靜音運作 Whisper Silent Design

千翼渦輪配合流線型內膽，操作寧靜。
Sirocco fan maintains better performance than turbo fan and keeps a low noise level.

千翼渦輪扇葉設計吸力強勁 Powerful Sirocco Fan Design

以先進氣流學原理設計的千翼渦輪(Sirocco Fan)，轉動時能產生強勁的旋渦氣流，將空氣中的油煙和飄浮的油霧迅速收集及抽走，不但有效抽除油煙，連油煙味亦一併清除。加上流線型內膽，運作寧靜順暢。
The Sirocco fan applies advanced aerodynamic theory in a revolutionary design to create a powerful airflow capable of removing smoke, smell and oil mist with ease.

易潔塗層* Easy Clean Coating*

易潔塗層 Hydrophobic Coating

「易潔塗層」是一種氟化合物，能減低水份及油份跟表面的接觸。這物質的表面張力較低，使油份不會黏著。
"Hydrophobic Coating" is basically a paint composed of fluorine compound particles that have small affinity with water or oil. This material has low surface tension allowing oil droplets falling on without adhering to the material.

Ordinary Coating 一般塗層

Oil 油份
Other Ordinary Coating 一般塗層
Galvanized Steel 鐵片
油份散開及黏附表面。
Oil spread out and stick firmly on the surface of the ordinary coating

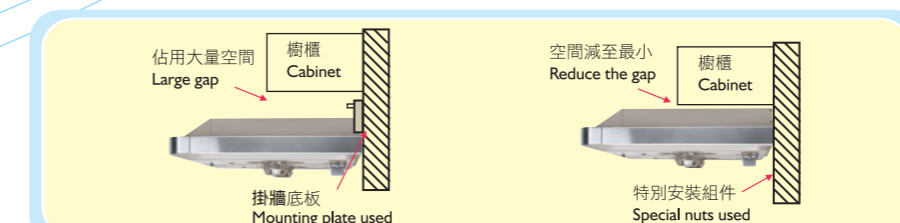
Hydrophobic Coating 易潔塗層

Oil Droplet 油份
Hydrophobic Coating 易潔塗層
Galvanized Steel 鐵片
油份轉化成球狀，防止黏附表面的情況發生。
Oil droplet form spherical shape when falling on the material that can prevent adhering to the surface

扇葉機身底部及護罩部份以「防水易潔」物料製造，只需使用乾布即可輕易抹去污跡。
Blades, lower panel and fan guards are coated with "Hydrophobic Coating", that dirt on which can be wiped up by dry cloth easily.

嶄新簡易安裝* Brand New Easy Installation*

使用特別設計組件，令安裝更輕易。
Easy installation is realized by the attached special nuts.
機身與櫥櫃空間減至最小。
Gap between range hood and cabinet over the product can be minimized.



備註：抽油煙機需安裝於堅固牆身上，不適合直接安裝於櫥櫃底部。
The range hood must be mounted on the wall. It is not design to be mounted on the kitchen cabinet.

*只適用於FV-713N型號
for FV-713N only

易拆式清洗 清理油垢最徹底 Easy Detachable For Cleaning



Hold the fan firmly and loosen the spinner according to the direction indicated on the surface of the spinner. (Right spinner is clockwise and left spinner is anti-clockwise).

取下千翼渦輪扇葉清洗。
Take out the fan carefully for cleaning.

Sirocco

千翼渦輪



FV-713N
銀色 Silver

多款時尚顏色 Deluxe Colors

全新Panasonic千翼渦輪抽油煙機備有二種顏色以供選擇。
Contemporary design with 2 colors to fit your modern kitchen perfectly.

- 香檳金色 Champagne Gold
- 銀色 Silver



本目錄所刊印之顏色，可能與實物稍有偏差。
Product color shown on this catalogue may deviate from the actual product.

纖薄時尚設計 Slim & Modern Design

簡潔控制面板及120mm纖薄機身，配合不同廚房設計。
Concise front panel and slim design of 120mm height suit your modern kitchen perfectly.



操作簡易 Easy Operation

輕觸式按鈕，綠燈同時點亮，設計時尚高雅。
Luminous soft touch switch provides easy operation with charming light and allows you to switch on both fans synchronously with 3 speed options.



延遲關機設計 Prolonged Off-Timer

(FV-711N 型號除外, except FV-711N)
烹調完畢後，預設的延長抽油煙時間功能(8分鐘)，把剩餘的油煙、臭味排走後，便會自動關機，確保廚房乾淨清爽。
The 8-minute prolonged off-timer design absorbs residual oil vapor after cooking.