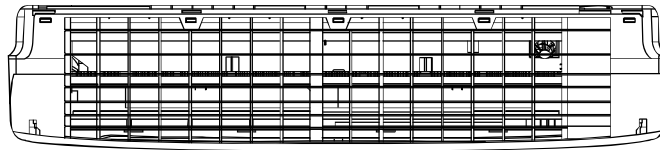
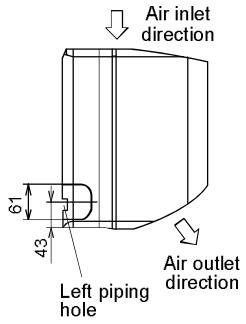


4.1.2 CS-RE18UKA CS-RE24UKA

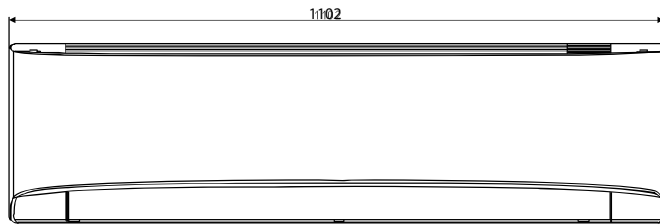
<Top View>



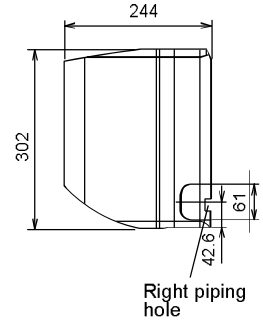
<Side View>



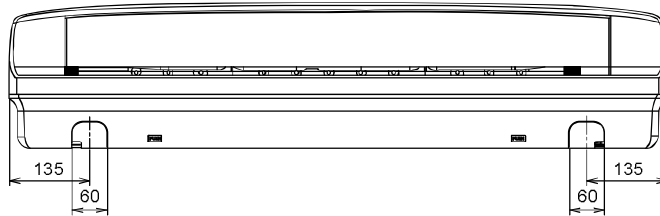
<Front View>



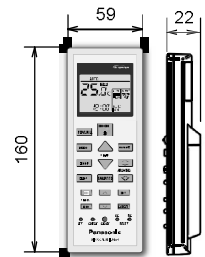
<Side View>



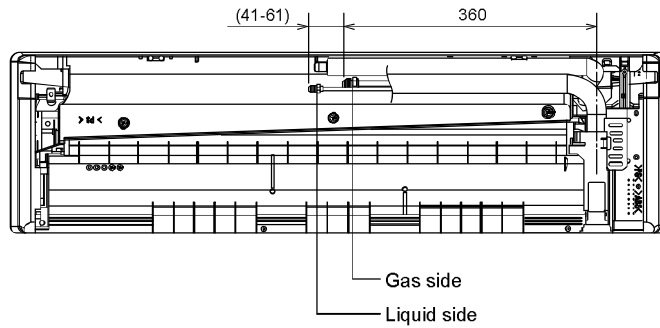
<Bottom View>



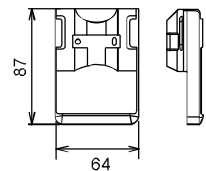
<Remote Control>



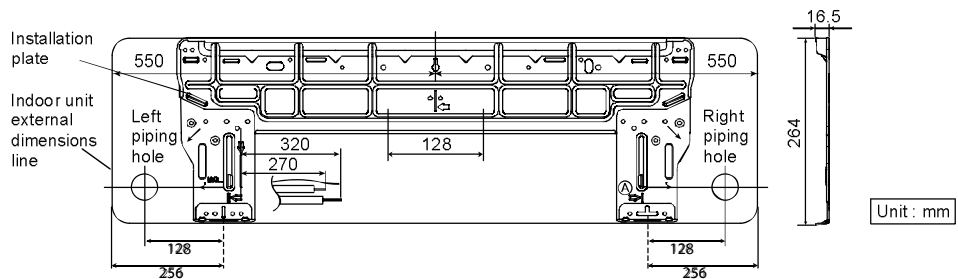
<Rear View>



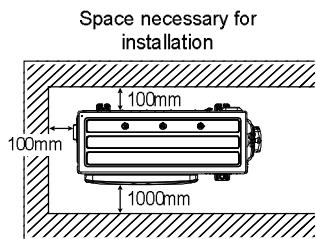
<Remote Control Holder>



Relative position between the indoor unit and the installation plate <Front View>

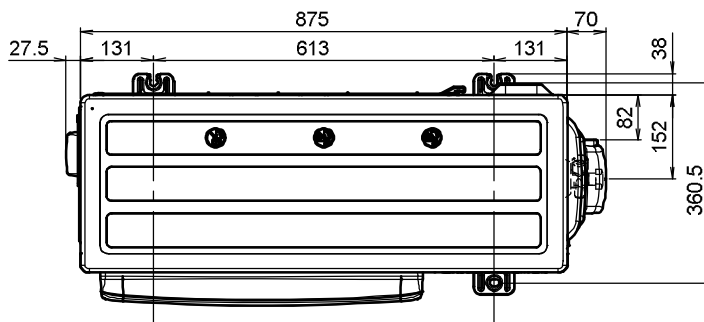


4.2.3 CU-RE24UKA

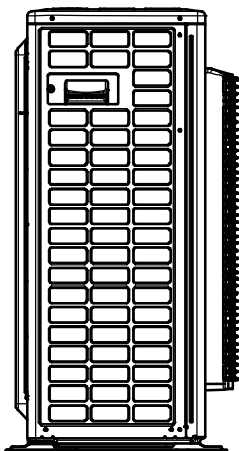


Anchor Bolt Pitch
360.5 × 613

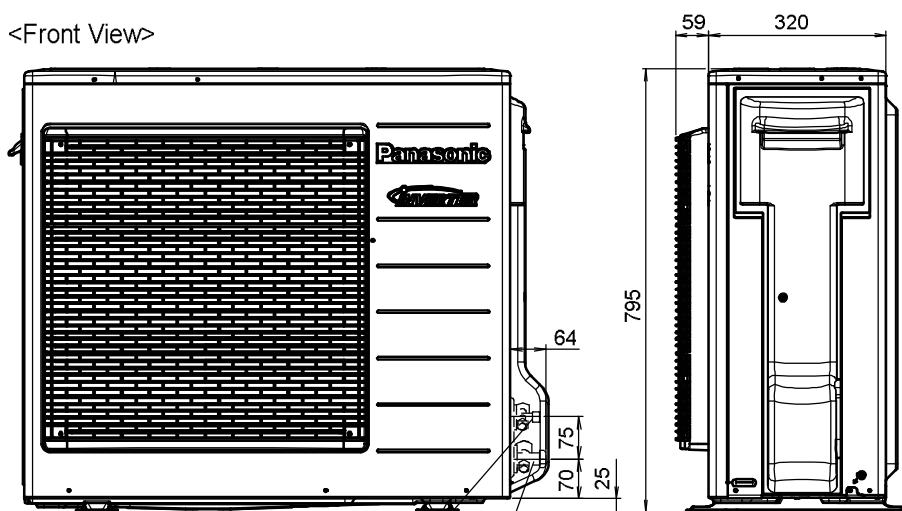
<Top View>



<Side View>



<Front View>



3-way valve at Gas side
(Low Pressure)

2-way valve at Liquid side
(High Pressure)

Unit : mm