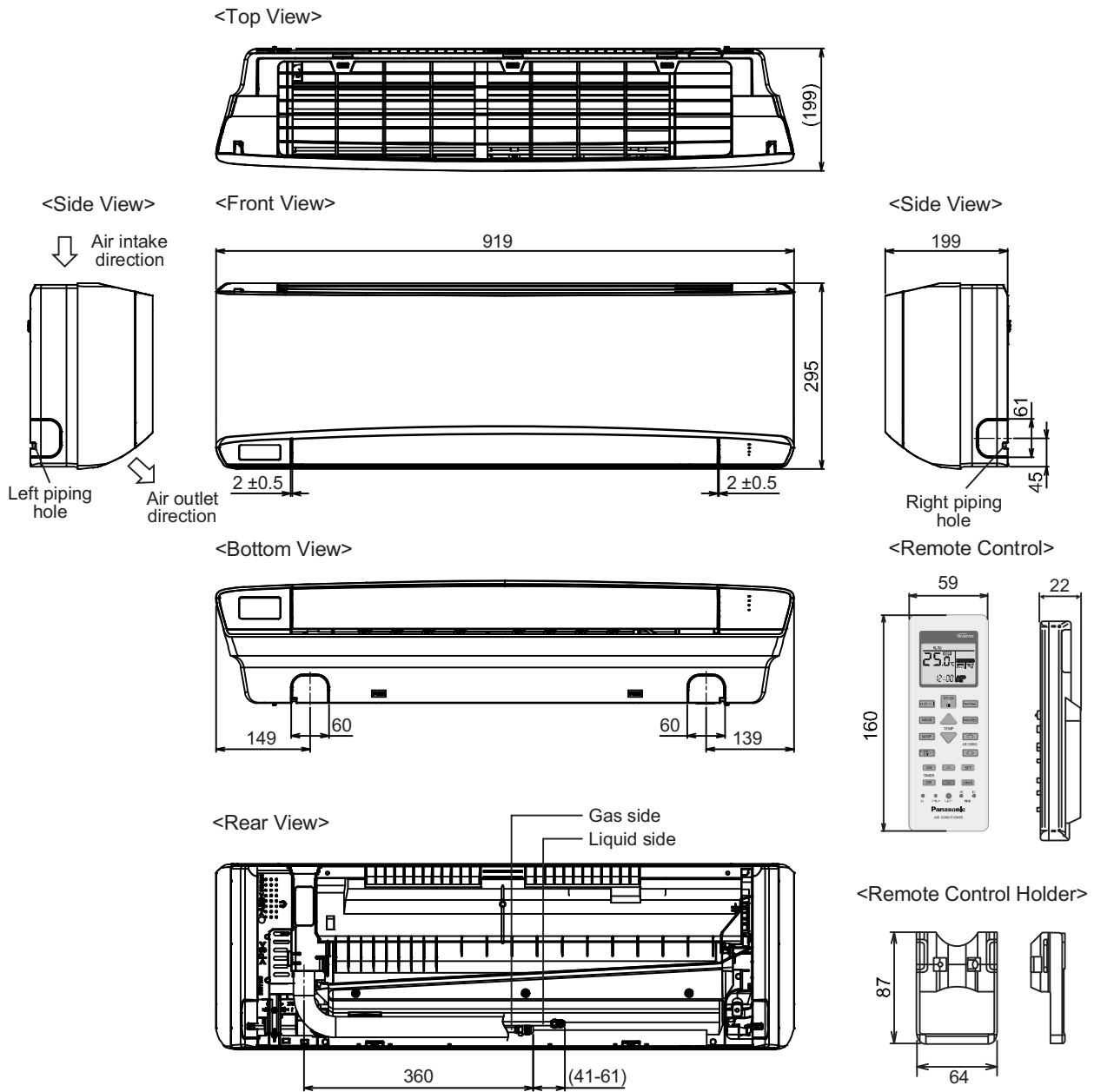


4. Dimensions

4.1 Indoor Unit

4.1.1 CS-S9TKZW CS-S12TKZW CS-MS15TKZ



Relative position between the indoor unit and the installation plate <Front View>

