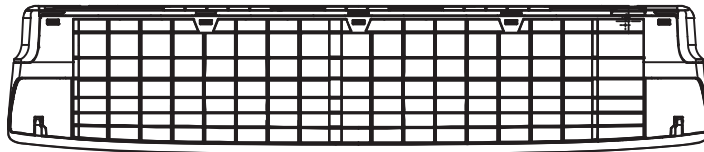
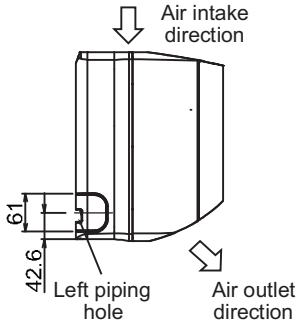


5.1.2 CS-E18VKA CS-E24VKA

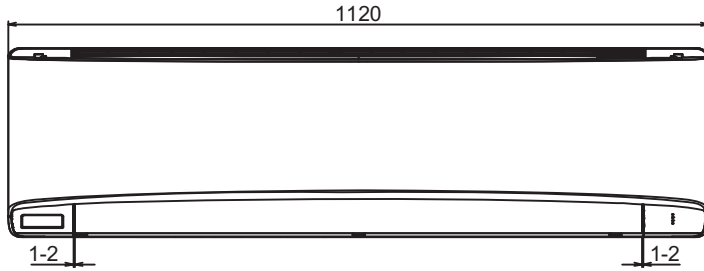
<Top View>



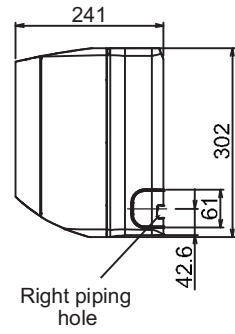
<Side View>



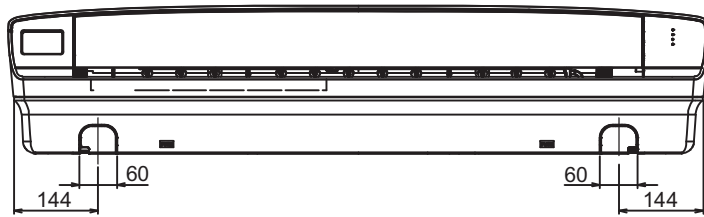
<Front View>



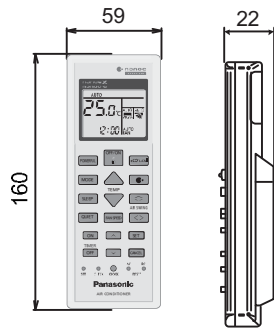
<Side View>



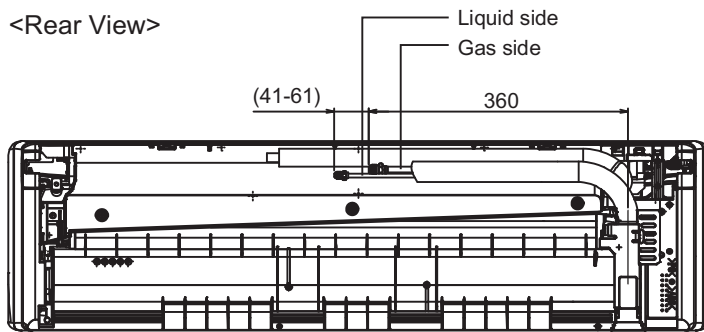
<Bottom View>



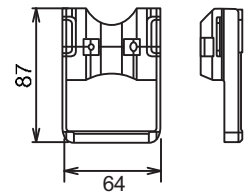
<Remote Control>



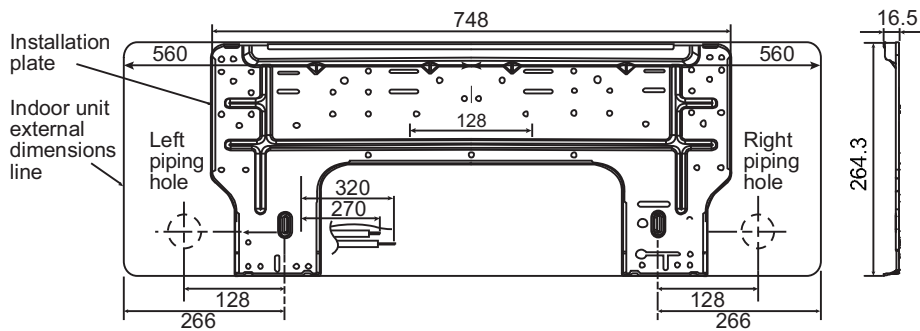
<Rear View>



<Remote Control Holder>

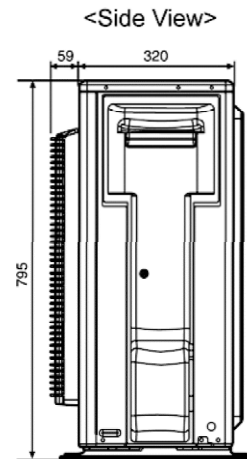
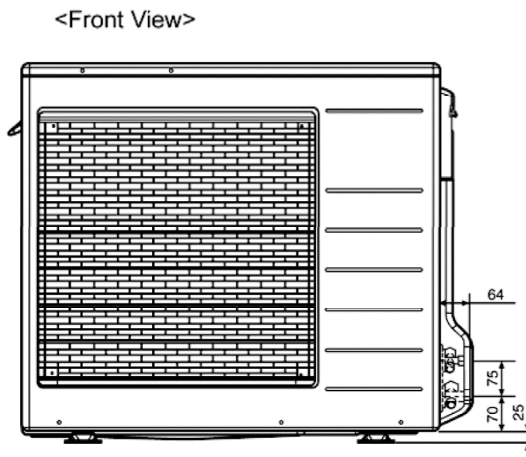
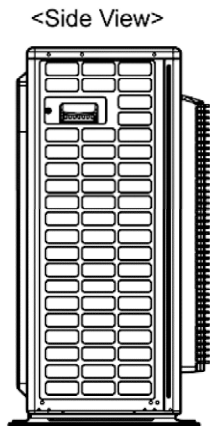
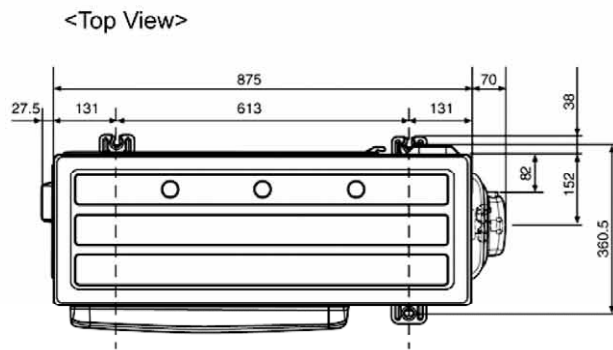
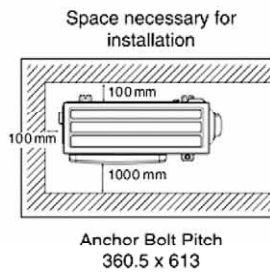


Relative position between the indoor unit and the installation plate <Front View>



Unit: mm

5.2.3 CU-E24VKA



Unit : mm