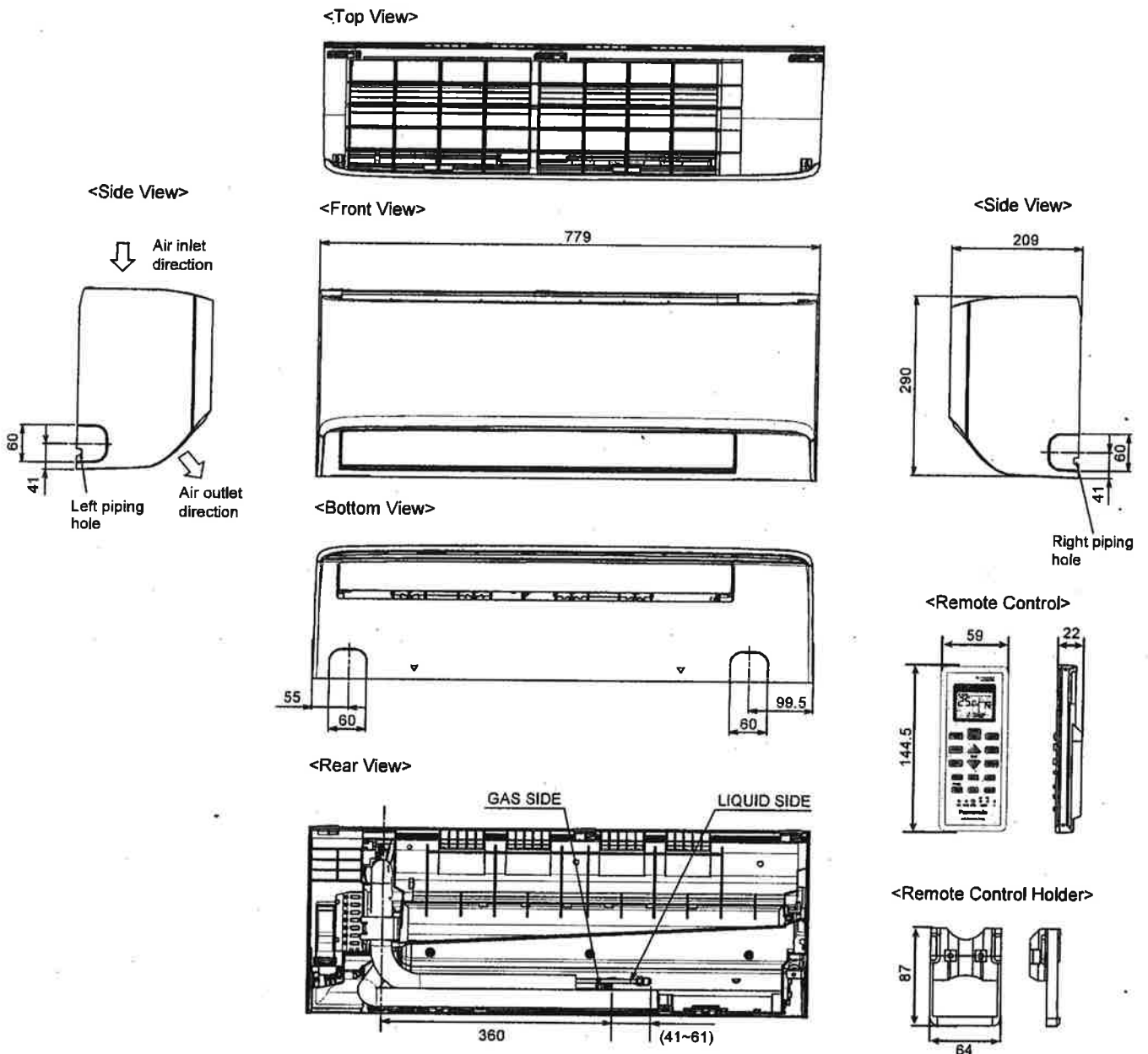


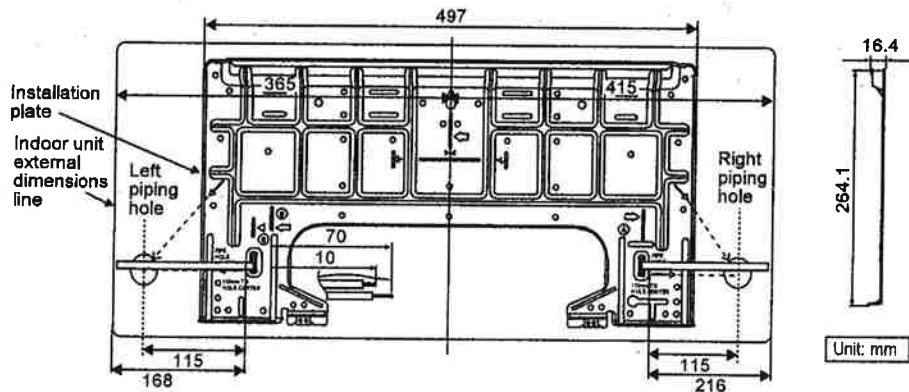
5. Dimensions

5.1 Indoor Unit

5.1.1 CS-RZ9YKA CS-RZ12YKA



Relative position between the indoor unit and the installation plate <Front View>



5.2 Outdoor Unit

5.2.1 CU-RZ9YKA CU-RZ12YKA

