

Installation Instructions 安裝說明書

Induction Heating Cooktop IH磁應煮食爐

Model No. **KY-E227B / KY-C227B**
型號

Important

重要事項

- Do not disassemble the top plate when installing the unit.
- Do not install an oven under the cabinet.
- Be sure to do a test run and give an appropriate explanation of the proper way to use to the customers. This product can be selected as free-standing or built-in. Keep this instruction.
- Be sure to entrust a qualified gas technicians (or a personnel from gas company) close a gas valve when replacing the gas appliances with this unit.
- Install the unit in accordance with the Installation Instructions. Otherwise, it may affect performance of the product.
- Any malfunction or accident, etc. resulting from failure to follow Installation Instructions is not covered under warranty.
- 切勿在安裝本機時將面板拆下。
- 切勿將爐灶安裝在櫥櫃的下面。
- 請務必進行試運行，並告知用戶正確的使用方法。此產品可以選擇作為座檯式或嵌入式。請妥善保管本說明書。
- 更換本 IH 磁應煮食爐後，原來使用的煤氣裝置和管線，必須委托具有專業資格的技术人員（或煤氣公司）封閉。
- 請在安裝說明書的指導下安裝本機。否則，可能會影響本產品的性能。
- 不按照安裝說明書進行安裝所發生的故障或事故等，不在保證範圍內。

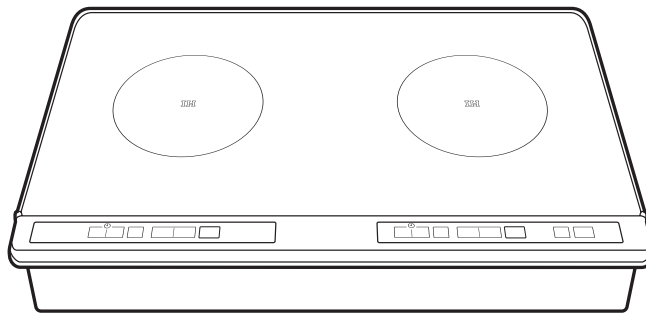


Table of Contents

目錄

1 Safety precautions for installation.....	2	1 安裝時的安全防護措施.....	2
2 Dimensions	3	2 尺寸.....	3
3 Connected dimensions with custom kitchen (built-in)	4	3 有關訂製廚房的尺寸（嵌入式）	4
4 Installation Location.....	5	4 安裝位置	5
5 Electrical Work	6	5 電氣工程	6
6 Installation of the unit	7	6 安裝本機	7
7 Check items after the installation	Back cover	7 安裝後的檢驗項目	封底

1 Safety precautions for installation 安裝時的安全防護措施

Please observe these precautions fully

請完全遵守下述防護措施

Warning : Failure to follow these instructions may cause a risk of personal injury or death.

警告 : 表示如不避免，則可能導致死亡或嚴重傷害的某種潛在危害情況。

Follow these instructions when installing the unit.

If it is installed improperly, it may cause electric leakage or overheat.

Install a dedicated circuit of single phase 220V/20A with a breaker for power supply.

If dedicated circuit is not connected compatibly, it may cause abnormal heat on electric wires.

Electrical work should be done by a qualified electrician.

If the connection or repair is not completed, it may cause electric leakage or overheat.

Never disassemble, repair or modify the unit.

Any attempt to do so may cause the unit to operate abnormally and may result in danger.

Install the ground completely with related law.

Installation of ground can avoid electric shock once electric leakage occurs.

The ground should be installed by a qualified electrician.

If the installation is not proper, electric leakage may occur.

If the supply cord is damaged, it must be replaced by the manufacturer or its service agent or related qualified electrician in order to avoid a hazard.

請按照此說明安裝本機。

如果安裝不正確，可能會導致漏電或變得過熱。

請安裝單相220V/20A的專用電路保護器電路。

如果專用電路安裝不當，可能會導致電線異常發熱。

電氣工程應由合資格的電氣技工施工。

如果連接和維修工作未完成，則可能會導致漏電或變得過熱。

切勿試圖自行拆卸、維修，或改裝本機。

任何這方面的嘗試，都可導致本機操作異常，引起危險。

請依據相關規定正確安裝地線。

安裝地線可避免在漏電時觸電。

安裝地線應由合資格的電氣技工施工。

如果安裝不當，可能會引致漏電。

如果附帶的電線有破損，則必須經原廠或代理商以及有相關資格的電氣技工來更換，以免發生危險。

Caution : Failure to follow these instructions may cause a risk of personal property damage.

注意事項 : 表示如不避免，則可能導致輕微或中度傷害的某種潛在危害情況。

Do not step on or drop any hard article down on top plate.

If it is cracked or broken up, it may cause overheating, abnormal operation or electric shock.

Do not touch top plate or other heating parts when the unit is running.

It may cause burn.

Use heat resistant materials for the countertop.

●The material of the countertop should have heat-resistancy equal to or exceeding "laminated thermosetting high-pressure decorative sheets".

If the materials are not heat resistant, it may cause deformation or fire.

*Do not use varnished materials as they might be discolored.

切勿踩踏面板或使硬物墜於其上。

如果面板破裂或斷裂，會導致過熱或操作異常，甚至造成漏電。

切勿在本機工作時，觸摸面板及其他發熱部位。

避免灼傷或意外。

操作台請使用耐熱材料。

●因該使用與“熱固性樹脂浸漬紙高壓裝飾層積板(HPL)”相同或更好的耐熱材料。

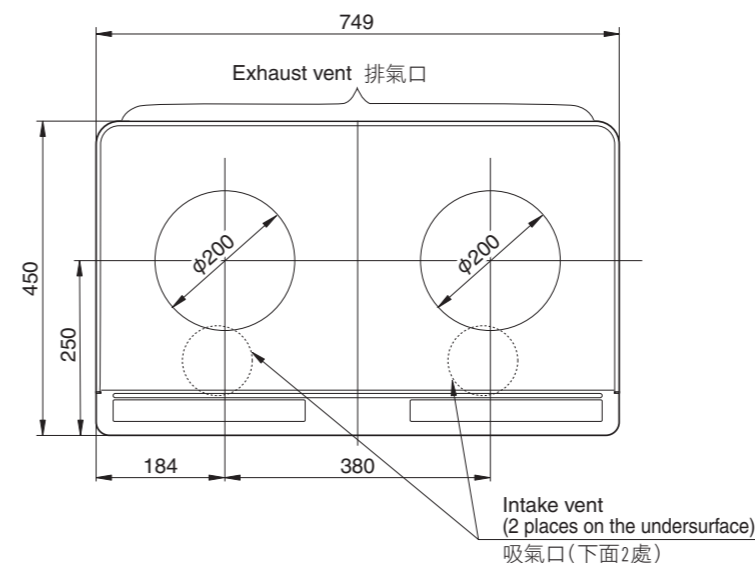
如果使用非耐熱材料，則可能會導致變形，甚至引發火災。

*切勿使用塗漆材料，否則可能會造成褪色。

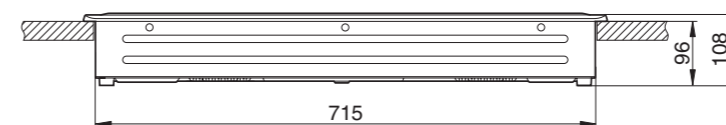
2 Dimensions 尺寸

(measurement: mm)
(單位: mm)

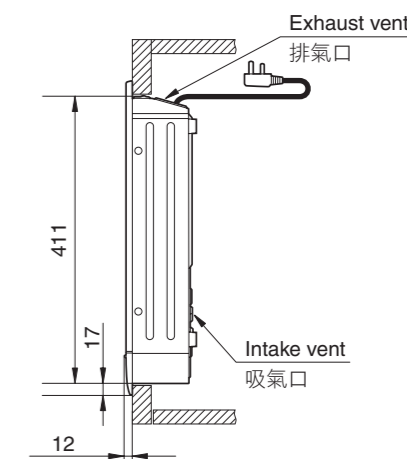
Top view
頂視圖



Front view
正視圖



Side view
側視圖



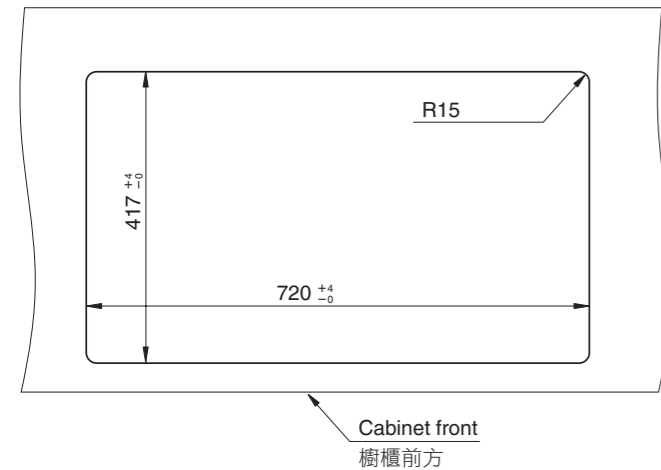
- Cord length: approx. 1.5m
- 電線長度: 約 1.5m

3 Connected dimensions with custom kitchen (built-in) 有關訂製廚房的尺寸 (嵌入式)

Ensure the opening for ventilation inside the cabinet.
確保櫥櫃內部的通風口位置。

Cutout dimension (measurement: mm)
開孔尺寸 (單位: mm)

(Dimensions of countertop opening)
(操作台安裝孔尺寸)

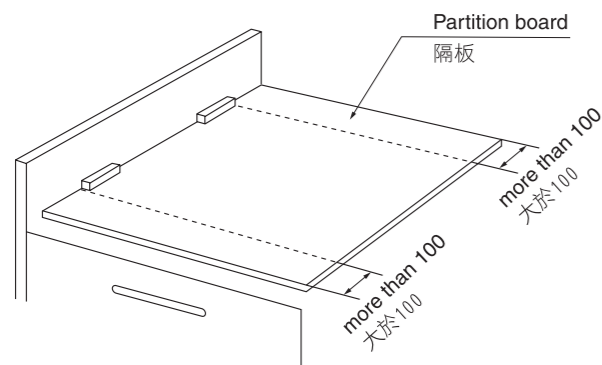


Cut the surface of the countertop along the template included with this product.
沿本產品提供的墊板，剪切操作台的表面。

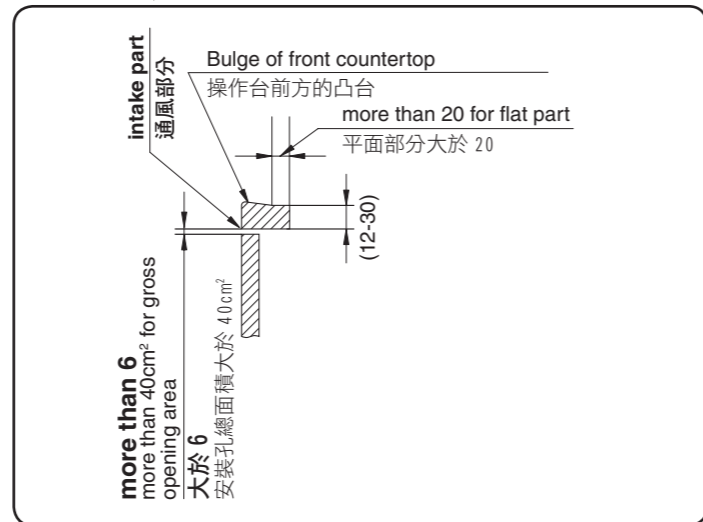
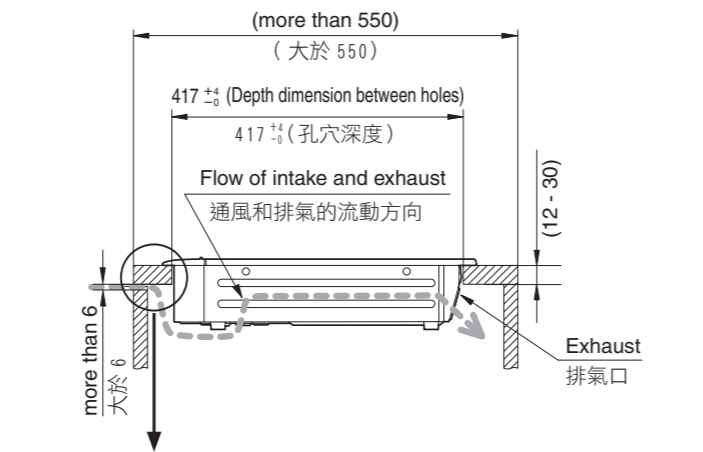
● In case the partition board is installed, or there is no intake part.
● 若安裝有隔板或沒有通風部分。

*Cut off the both ends of the partition board more than 100mm or make holes with using holesaw.
*請將隔板的兩端切開100mm以上，或用圓孔鋸鑽孔。

(measurement: mm) (單位: mm)



Side view (measurement: mm)
側視圖 (單位: mm)



4 Installation Location 安裝位置

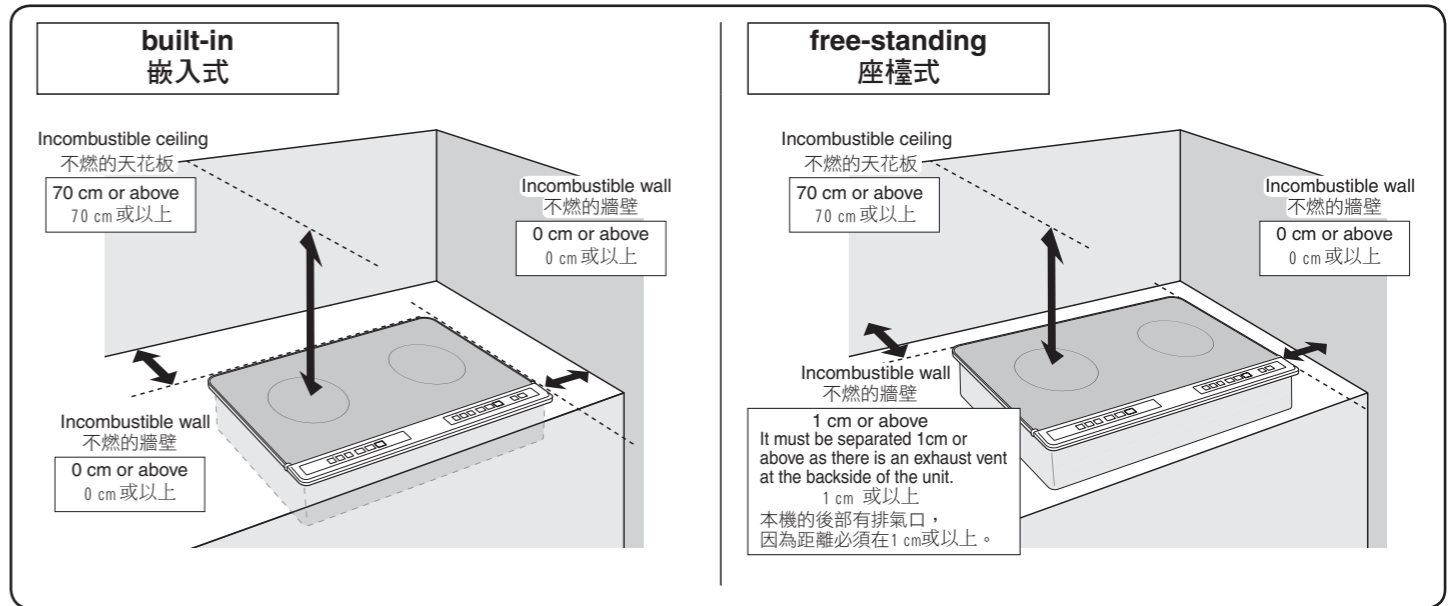
Follow the related law when installing the unit.
安裝本機時應按照相關的規定。

Distance from the wall.
距牆的距離。

■ In case surrounding wall is incombustible or installed with heat insulating board.

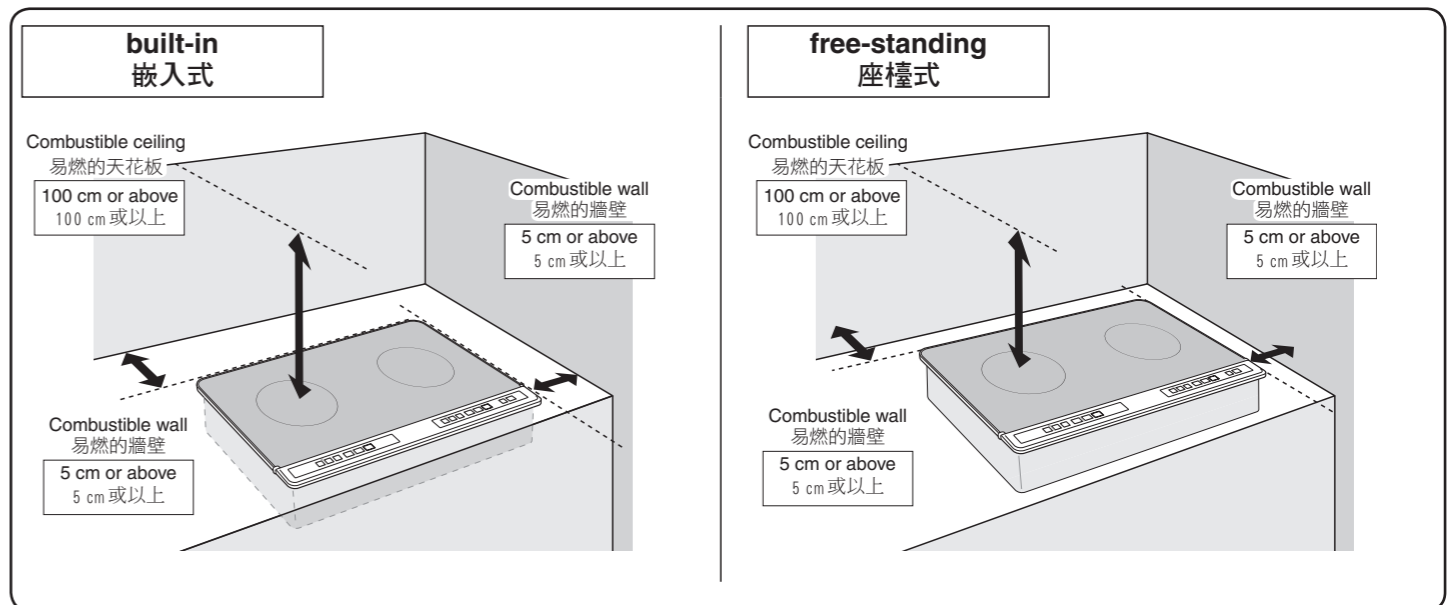
■ 若周圍是不燃材料的牆壁或絕熱板。

- The materials used for the incombustible wall and heat insulating board are metals, tiles and bricks, etc.
- 不燃材料的牆壁及絕熱板之物料包括金屬，磚瓦或瓷磚。



■ In case surrounding wall is combustible. (non fire protection construction wall)

■ 若周圍是易燃材料的牆壁。(無防火結構的牆)



5 Electrical Work 電氣工程

- The electrical wiring should be complied with the local wiring, earthing, and safety regulations.
- 請遵從當地的相關規定，完整地安裝電氣線路。
- Power supply point shall be the place where is easily accessible for the power disconnection in case of emergency.
- 應將電源安裝於適當位置，以便遇到緊急情況時可以及時切斷。

Electrical work should be done by a qualified electrician.

電氣工程應由有資格的電氣技工施工。

Installation dedicated circuit 安裝專用電路

■ **Install dedicated circuit of single phase 220V/20A with a breaker on power supply.**

■ 有斷路保護器時，請安裝單相220V/20A的專用回路。

■ **Use the following interior electric cable.**

■ 請使用下列的內部電線。

Wall socket (box type) 牆壁插座 (盒式)	More than 2.0mm wire diameter or more than 3.5mm ² stranded wire 直徑大於2.0mm 的電線，或大於3.5mm ² 的標準電線
Flush-mounted socket 嵌入式插座	More than 2.0mm wire diameter only 直徑大於2.0mm的電線專用

Installation wall socket 安裝牆壁插座

Be sure to do ground connection (wire for one pole ground connection of terminal).

請務必連接地線（用於接線的單極接地的電線）。

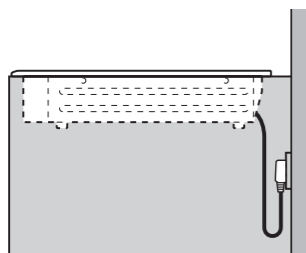
KY-E227B	BS546 type socket (15A) BS546型插座 (15A)	
KY-C227B	BS1363 type socket BS1363型插座	

Location of wall socket 牆壁插座的位置

built-in 嵌入式

*Install the wall socket at where the plug can be taken off after setting the unit.

*請將牆壁插座安裝在即使安裝了本機也可以拔掉插頭的地方。



free-standing 座檯式

*Install the wall socket to keep away from hot air, splashing water and food-spattered.

*請將牆壁插座安裝在遠離熱氣以及水和食物噴濺不到的地方。

Installation electric leakage breaker 安裝漏電斷路器

■ **Be sure to install the electric leakage breaker with following specifications.**

■ 請務必遵照下列規格安裝漏電斷路器。

Rated current 額定電流	KY-E227B	30A
	KY-C227B	20A
Rated sensitivity current 額定感度電流	30mA	

■ **Incorporate the breaker and the electric leakage breaker in the fixed wiring in accordance with the wiring rules.**

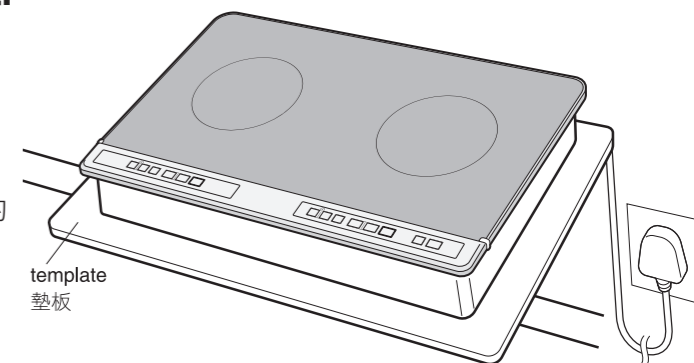
■ 請根據接線規則將斷路器和漏電斷路器接入到已固定的線路內。

6 Installation of the unit 安裝本機

Do not disassemble the top plate (connected wire may come away and it may cause malfunction).
切勿將面板拆下（否則，連接的電線可能會脫落，並可能會引起故障）。

1 Insert the plug into the wall socket. 將插頭插進牆壁插座中。

- To prevent scratching the countertop, lay packing template under the unit. (built-in)
- Do not install free-standing on paper or sheet.
- 為了避免劃傷操作台，請將包裝用墊板放在本機的下面。（嵌入式）
- 切勿在座檯式時，放置在紙或墊子上。

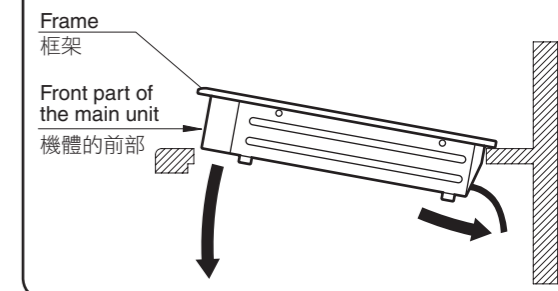


(built-in)
(嵌入式)

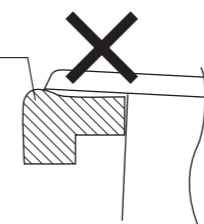
2 Insert the unit backside into countertop and fit whole unit. 將本機後部插進操作台內，並裝配好整體位置。

- Do not drop the unit down onto the countertop.
- Confirm the clearance gaps between the bottom of frame and the countertop are exactly same from front to back and from side to side. (If supply cord is trapped between the bottom/side of the unit and cabinet, the unit float and the gaps might be differed.)
- If there is a bulge on the countertop, do not set the unit on it.
- 切勿使本機跌落於操作台上。
- 請確保框架底部和操作台之間的縫隙與前後左右的距離正好相同。（如果附帶的電線卡在本機的底部，或側面與櫥櫃之間，則會因縫隙不同而導致本機發生搖晃。）
- 如果操作台上有凸台，切勿將本機放置在凸台上。

Section view 剖面圖



Bulge of front countertop
操作台前方的凸台



Important 重要事項

- In order to prevent twisting or burden to power cord, observe direction of IH Cooktop plug.
- 為了防止電線扭曲和過負荷，請注意 IH 磁應煮食爐插頭的方向。





7

Check items after the installation

安裝後的檢驗項目

After the installation, check and mark on following items.

安裝後，請遵照下列項目進行檢驗並做標記。

Check items 檢驗項目	Check 檢驗	
Appearance 外觀	Ensure the frame is stable. Check the top plate is clean. 確保框架安裝穩定。檢查面板是否清潔。	<input type="checkbox"/>
Electric testing 電氣測試	<p>1 Check power supply is a single phase, 220V a.c. 檢查電源是否是單相220V交流電。</p> <p>2 Turn the main power switch on. 打開主電源開關。</p> <p>3 Check the operation by pressing ,  buttons for IH heaters. 請通過按 ,  按鈕，確認IH爐頭的操作。</p> <ul style="list-style-type: none"> ● Be sure to place a pot filled with water on the unit. (Never heat empty pot.) Types of Pots and Pans that can be used. ☞ Pages 10-11 of "Operating Instructions". *When operating with IH heater buttons without a pot, the indicator of the IH heater flashes for 1 minute, then goes off. ● 在本機上放置一個裝滿水的鍋。(切勿將空鍋加熱。) 有關可以使用的鍋具及平底鍋具的類型。 ☞請參閱“使用說明書”的10-11頁。 *如果未放置鍋具就操作IH爐頭按鈕，則IH爐頭的指示燈將閃爍1分鐘，然後熄滅。 	<p>Power light lights up. 電源燈點亮。</p> <p>After a short time, water will be boiled. 過一會兒後，水就煮沸了。</p>

Make sure to turn the main power switch off after electric testing.

I hereby certify that installation has been completed.

我特此保證安裝已經完成。

Please hand, operating instructions, installation instructions and Guarantee certificate to the customer.

請務必在電氣測試後，將主電源開關關閉。

請將使用說明書、安裝說明書及保用證交給用戶。

Signature of installer

安裝者簽名

Before installation, cut along perforation to take off a serial number seal that is on the backside of the unit. Then stick it to "Serial No." on the Guarantee certificate.

安裝前，請從折線處剪開並取出本機後面的機身編號貼紙。然後，將其黏貼在保用證的“機身編號”的位置。

