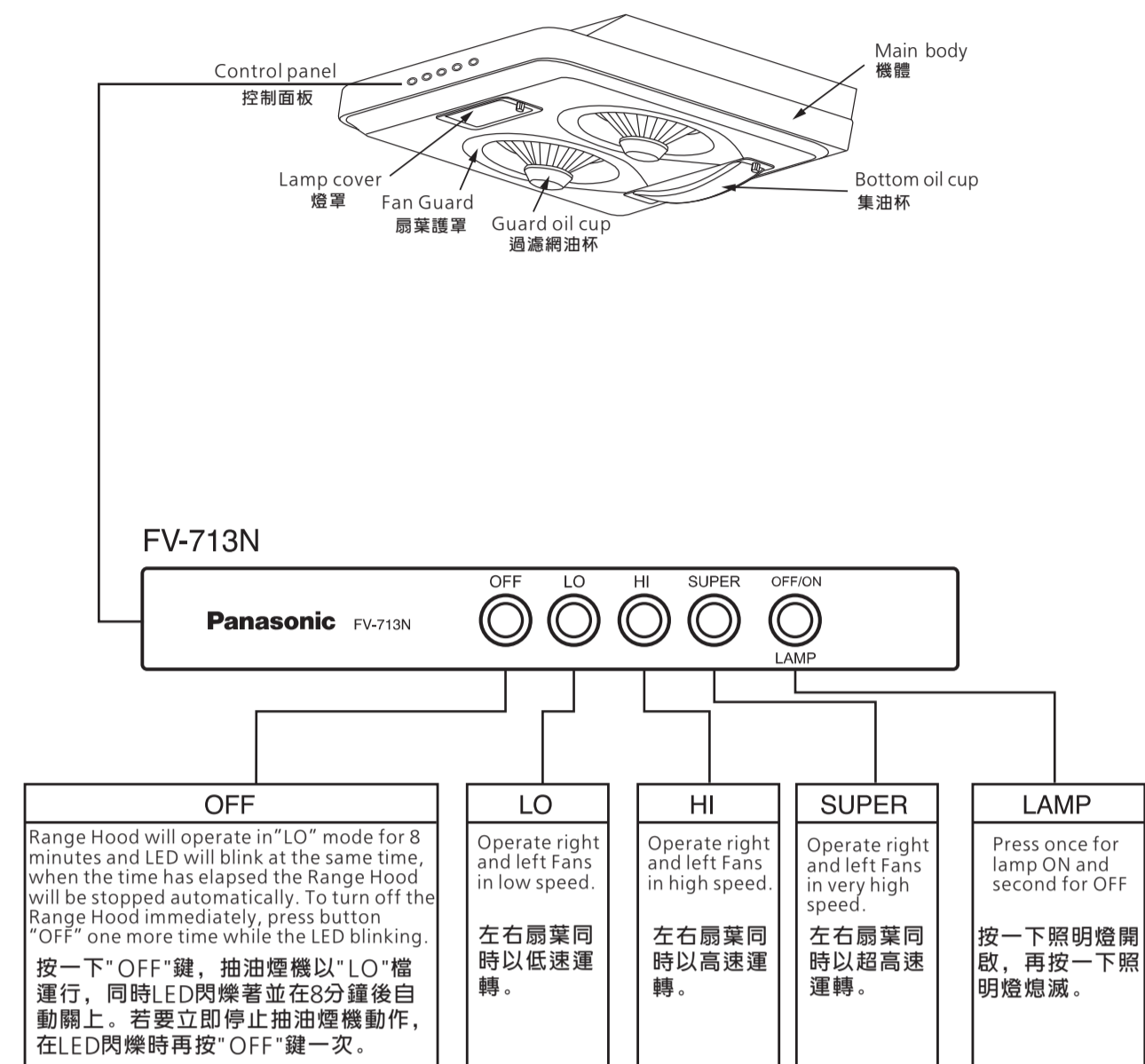


How to operate switches

開關的使用方法

1. Check whether the power plug is inserted into socket securely.
2. Buttons control to be referred to table below.

1. 確認電源線插頭是否可靠地插入電源插座中。
2. 按鍵操作見附表



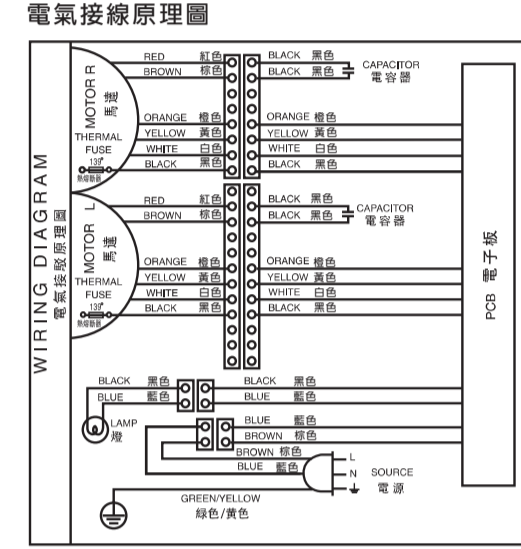
Specifications 規格

Model 型號	Rating 額定電壓及頻率	Notch 檔位	Power consumption 耗電量 W	Air delivery 排氣量 m ³ /h	Lamp 照明燈 W (發光二極管型燈) (鎢絲型燈泡)	Net weight 淨重 kg
FV-713N	220V~50Hz	Super	140	720	6	17
		Hi	95	500	40	
		Lo	72	400		

- * Above specification are measured at operating of both motors.
- * 以上參數是左右馬達同時運轉所得的參數。
- * Air delivery data is the mean value measured in factory and is subject to ±10% tolerance.
- * 排氣量是公司檢查風量結果的中心值，有±10%的公差範圍。

Insulation class E.
E級絕緣

Wiring Diagram 電氣接線原理圖



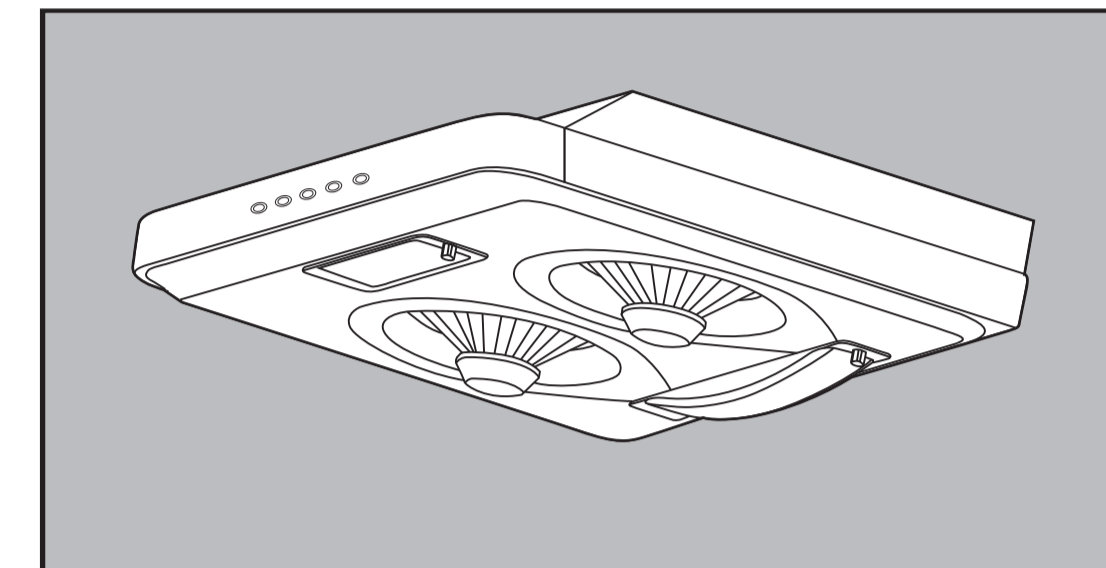
Panasonic Corporation
Web Site: <http://www.panasonic.com>
© Panasonic Corporation 2017

T0605-050911 7HQD24202E07

Operating Instructions 操作說明書

Range Hood 抽油煙機

Model 型號 **FV-713N**



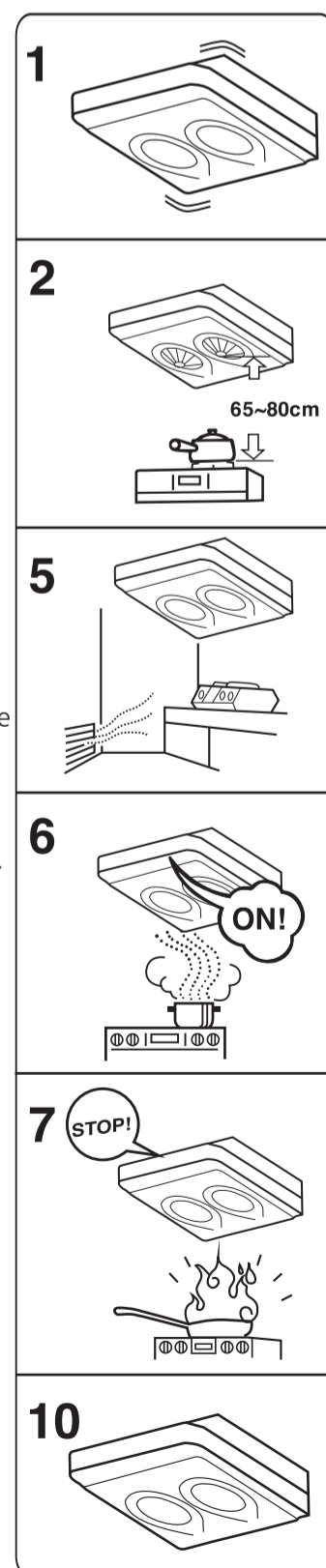
Thank you very much for choosing the Panasonic product. Please read these instructions carefully before attempting to install, operate or service the product. Failure to comply with instructions could result in personal injury or property damage. Please retain this booklet for future reference.

感謝您選用Panasonic 產品。安裝、使用和維護本產品前，請仔細閱讀本操作說明書。不遵照此說明書進行操作有可能導致人員受傷或財產損失。請妥善保管好此說明書以備日後參考。

Warnings

請務必嚴格遵守

- Disconnect power supply before maintenance.
維護保養前請先斷電。
- This appliance is not intended for use by persons (including children) with reduced physical, sensory or mental capabilities, or lack of experience and knowledge, unless they have been given supervision or instruction concerning use of the appliance by a person responsible for their safety. Children should be supervised to ensure that they do not play with the appliance.
本產品不適合有殘疾、智障或精神障礙的人士或缺乏經驗、常識者(包括兒童)維護使用。除非在負責他們安全的人士的看護或指導下使用。在維護保養期間，兒童應該有人進行看護，以防將產品當做玩具。
1. Check whether the range hood is installed securely according to the installation instruction, check whether the range hood is tilted from back to front at 2° or more and keep horizontally between left side and right side.
 2. Installation height should be within 65cm to 80cm from hob surface to the lowest part of the range hood.
 3. There shall be adequate ventilation of the room when the range hood is used at the same time as appliances burning gas or other fuels.
 4. The air must not be discharged into a flue that is used for exhausting fumes from appliances burning gas or other fuels.
 5. Be sure to provide appropriate ventilating openings.
 6. Always operate range hood when using gas cooker.
 7. Stop the range hood operation immediately if oil ignites.
 8. Do not flame under the range hood.
 9. Turn on both motors simultaneously when strong wind is occurring at the outside environment. Otherwise, the exhaust air may return back to inside.
 10. Clean the range hood on a regular basis to avoid fire hazard.
 11. If supply cord is damaged, it must be replaced by manufacture or its service agent, or a similarly qualified person in order to avoid a hazard.
 12. Regulations concerning the discharge of air have to be fulfilled.
 13. Neither unauthorized inspection, modification, repair nor disassembly are allowed.
 14. A statement to the effect that when the product is no longer to be used, it must not be left in the place but removed, to prevent it from possible falling.
 15. Failure to install fixing device (for example screws, etc.) in accordance with these instructions may result in electrical hazards.
 1. 確認抽油煙機是否按要求的安裝方法平穩的安裝，是否向後傾斜2°或以上并保持左右水平。
 2. 安裝在灶面到抽油煙機底部為65-80cm的位置。
 3. 當吸油煙機與煤爐或其他燃具同時使用時，房間必須通風良好。
 4. 吸油煙機排出的氣體不應排放到用於排出氣體燃具或其他燃具使用的熱煙管當中。
 5. 必須提供合適的通風口。
 6. 在使用煤氣灶時務必打開抽油煙機。
 7. 在油着火時立刻停止使用抽油煙機。
 8. 禁止熄火直接烤抽油煙機。
 9. 當室外風大時，請同時開啟兩個馬達，因為只開一個馬達可能導致油煙倒流回室內。
 10. 請經常清洗抽油煙機，否則可能導致火災的危險。
 11. 如果電源線損壞，為避免發生危險，必須由製造廠或其維修部或類似的專業人員來更換。
 12. 必須堅決執行關於廢棄排放的規定。
 13. 禁止擅自檢查、改造、修理、拆分。
 14. 使用結束後的產品，為了防止在萬一的情況下掉落，不得放置不管，而應予以拆除。
 15. 未按照說明書指示進行固定裝置(如螺絲釘等)安裝可能會造成嚴重電氣危險。

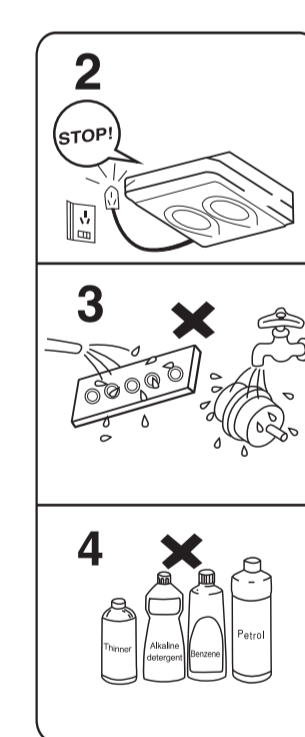


Cautions

注意事項

1. Accessible parts may become hot when used with cooking appliance.
2. Disconnect the power plug before cleaning.
3. Avoid spraying water or detergent onto the motor and switches directly.
4. Never use petrol, benzene, thinner or any other similar chemicals for cleaning the device.
5. There is a fire risk if cleaning is not carried out in according with instructions.
6. When detaching parts for cleaning, please pay extra attention to avoid falling the parts.

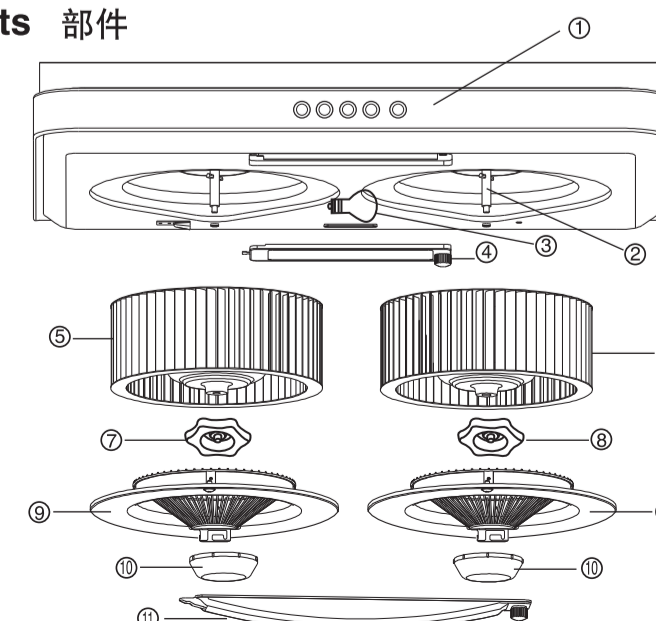
1. 在使用烹調器具時，可接觸部件會變熱。
2. 清潔前務必拔掉電源線插頭。
3. 切勿噴灑水和清潔劑到馬達和控制面板。
4. 千萬不要用汽油、苯、酒精或任何類似的化學藥物清洗抽油煙機。
5. 如果不按說明書規定的方法清洗，吸油煙機有起火的危險。
6. 當拆卸部件進行清潔時，請小心以防止部件跌下。



How to perform maintenance

維護方法

Parts 部件



①	Switch Button	開關按鈕
②	Motor	馬達
③	LED Lamp	發光二極管型燈
④	Lamp Cover	燈罩
⑤	Fan L	左扇葉
⑥	Fan R	右扇葉
⑦	Spinner L	左旋蓋
⑧	Spinner R	右旋蓋
⑨	Fan Guard	扇葉護罩
⑩	Guard Oil Cup	過濾網油杯
⑪	Bottom Oil Cup	集油杯

How to perform maintenance

維護方法

- Cleaning**
- Wear plastic gloves during cleaning may avoid accidents.
 - [Daily Cleaning]
 - Wipe off oil droplets or oil on surface of range hood after cooking.
 - [Oil cup Cleaning]
 - Discard oil from oil cup before it is full.
 - Slippery surface of oil cup requires special caution when removing or attaching the oil cup to the unit.
 - 1. Bottom oil cup: Hold the oil cup with both hands when loosening the screw of oil cup or attaching.
 - 2. Guard oil cup on fan guard: Hold the oil cup tightly, first push up the oil cup and then rotate a little anticlockwise and pull down to take out the oil cup.
 - [Monthly Cleaning]
 - Disconnect the power plug before remove the fan guard from the Range Hood, and make sure the fans are not rotating.
 - 1. Remove bottom oil cup, loosen two pieces screws and remove the fan guard.
 - 2. Remove the fan R and L holding tightly and loosening each spinner according to surface indication.
 - Loosening - Spinner R is clockwise
Spinner L is anticlockwise
 - 3. After cleaning, reassemble all the parts as reverse order.
 - 4. Fix Fan R and L according to surface indication because each fan is in different shape.
 - Each Fan can not be fixed to incorrect position.
- Lamp installation and replacement**
- Disconnect the power plug before opening lamp cover.
 - 1. Loosen the lamp cover screw then opening the lamp cover.
 - 2. Only LED lamp FBRI-23-230/240-E14-82/127 (ILCOS D code in according to standard IEC 61231) with rated voltage 220V and the max wattage 6W can be used when installation or replacement.
 - 3. Cannot use the pellet bulb, otherwise the bulb can't light up because the bottom side of the bulb contact with the lamp socket imperfectly.
 - 4. Please contact our Service Center to replace with the LED lamp of the required model (FFV3410045S).
 - (Also compatible with tungsten lamp below 40W)
- 清潔**
- 為避免意外發生，清潔時請戴上膠手套。
 - 每天清潔**
 - 請先拔掉電源線，清潔抽油煙機表面的油珠和油層。
 - 油杯清潔**
 - 當油杯中的油將滿時，請倒掉廢油。
 - 油杯表面很滑，安裝和拆卸時請特別注意。
 - 1. 集油杯：當鬆開集油杯螺絲時，請用雙手拿穩油杯。
 - 2. 過濾網油杯：拿穩油杯，先往上推油杯再稍微逆時針旋轉，然後往下拉即可取出油杯。
- 每月清潔**
- 在關閉抽油煙機之前，關閉抽油煙機的電源並確認風扇不旋轉。
 - 1. 鬆開過濾網上的兩顆螺絲。
 - 2. 按旋蓋上指示的方向鬆開左右旋蓋，取出扇葉。鬆開方向：右旋蓋為逆時針，左旋蓋為逆時針。
 - 3. 完成或換燈後及扇葉安裝後再操作。
 - 4. 扇葉有左右之分，安裝時請按上面的標記進行區分。
 - 左右扇葉不能互換安裝。
- 安裝和更換燈**
- 打開燈罩之前，務必先拔出電源插頭。
 - 1. 拆開固定燈罩的手擰螺絲，打開燈罩。
 - 2. 安裝或更換燈時，只能按照標準IEC 61231 使用額定電壓220V，最大功率為6W，代碼為FBRI-23-230/240-E14-82/127的燈。
 - 3. 不可以使用鹵素燈泡的燈，否則燈罩因為底部與燈座接觸不穩而不能發光。
 - 4. 請聯絡售與服務中心，更換指定型號 (FFV3410045S) 發光二極管型燈。(亦可配以40W以下的鎢絲型燈泡)

