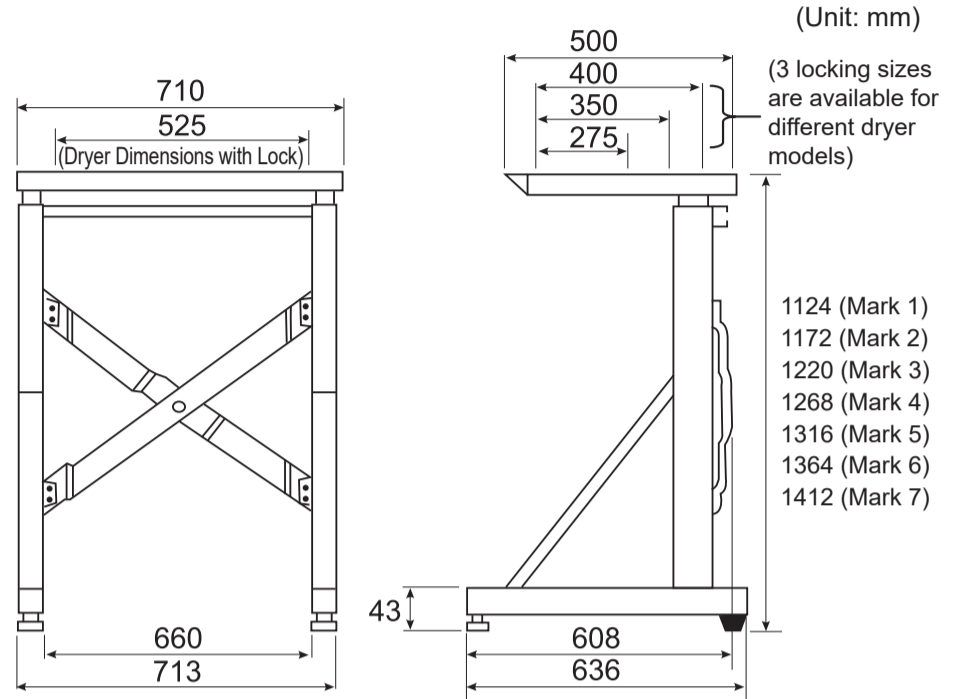
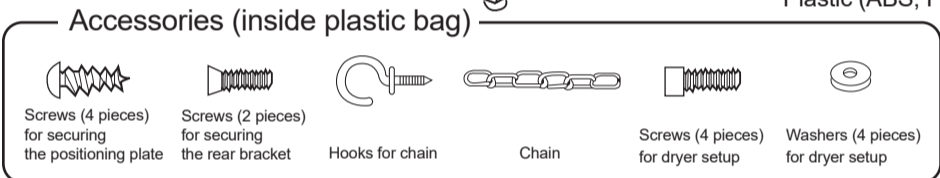
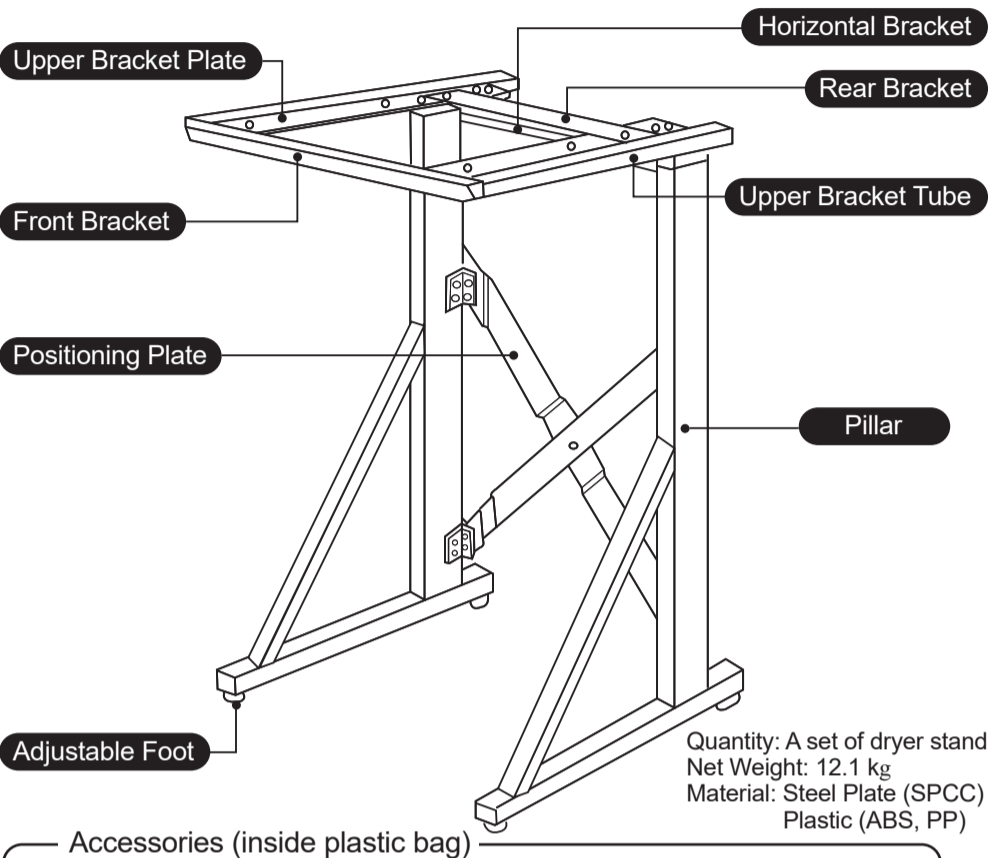


■ Read these instructions carefully before assembling and installing the product according to the instructions. ⚠ Be sure to tighten all screws to avoid any hazards.

Parts Names

Dimensions Diagram



- Compatible washers/dryers for this dryer stand:
- Dryer: **Panasonic** compatible dryer models.
 - Washer: Maximum dimensions for **Panasonic** washers: W660 x D773 x H1412 mm
- * For other brands, please confirm compatibility based on dimensions.
* Compatible dryers come with fixed clips for installation, please refer to the simplified installation instructions for the dryer and dryer stand.

Assembly Procedure

1. Open the Pillar	2. Adjust Height	3. Secure Horizontal Bracket	4. Install Front Bracket	5. Secure Positioning Plate	6. Secure Rear Bracket
<ul style="list-style-type: none"> • Open the pillar to both sides. (During packaging, the height of the left and right brackets may differ, which is normal.) 	<ul style="list-style-type: none"> • First, remove the four screws that secure the bracket to the pillar. According to the model of washer you purchased, adjust the bracket to the appropriate height (seven-level height adjustment). Next, fix the left and right sides with a screw in the lower fixing hole, respectively. 	<ul style="list-style-type: none"> • Secure the horizontal bracket to the upper fixing hole. 	<ul style="list-style-type: none"> • Insert the front bracket firmly into the upper bracket tube. 	<ul style="list-style-type: none"> • After aligning the holes on the positioning plate with the pillar at the back of the product, use the included positioning plate screws (4 pieces) to secure it in place. 	<ul style="list-style-type: none"> • Secure the rear bracket to the upper bracket plate using the included rear bracket screws (2 pieces).

Installation Settings

1. Placement	2. Stability Adjustment	3. Installing the Chain	4. Dryer Combination Setup
<ul style="list-style-type: none"> • Place it on a sturdy, horizontal surface. To prevent it from tipping backwards, it must be placed against a wall. <p>⊘ Do not place it next to the railings of a balcony to avoid the risk of it being blown over by strong winds.</p>	<ul style="list-style-type: none"> • The dryer stand must be stable when placed, with no wobbling. <p>⚠ If the product is unstable, you can use the adjustable foot to adjust it to be stable.</p>	<ul style="list-style-type: none"> • For safety reasons, a chain must be installed. • The chain must be secured to a hook on the rear wall and must not be slack. <p>⚠ The hook used to secure the chain must be fixed to a sturdy wall or column.</p>	<ul style="list-style-type: none"> • Place the dryer on the dryer stand and align it with the assembly holes on the upper bracket plate and the holes on the bottom of the dryer. Use the included screws (4 pieces) and washers (4 pieces) to set up the dryer and secure it in place. <p>⚠ While setting up, be sure to align the holes on the front side, and also ensure the holes on the back side are aligned before securing them.</p>